

ASSEMBLY INSTRUCTION

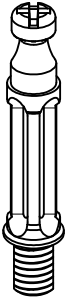
WARDROBE HUH



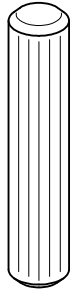
radis

Nordic Elegance

WWW.RADIS.EE



X26



X46



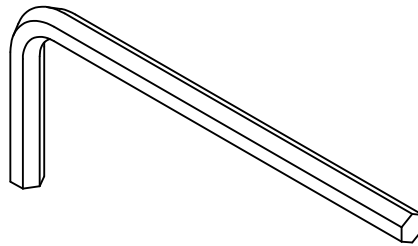
X26



X4



X9



X1



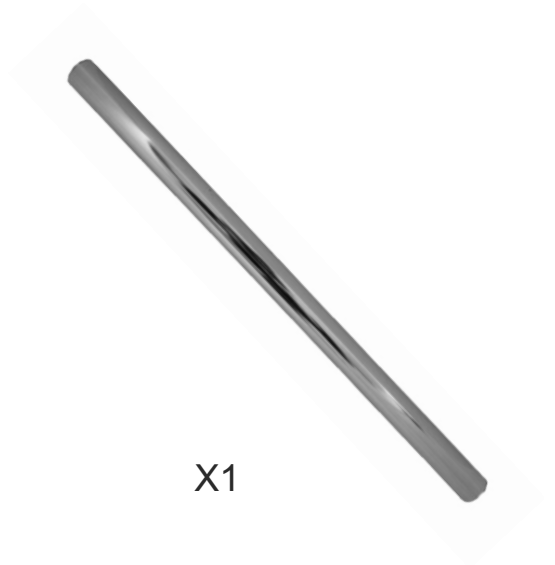
X12



X2

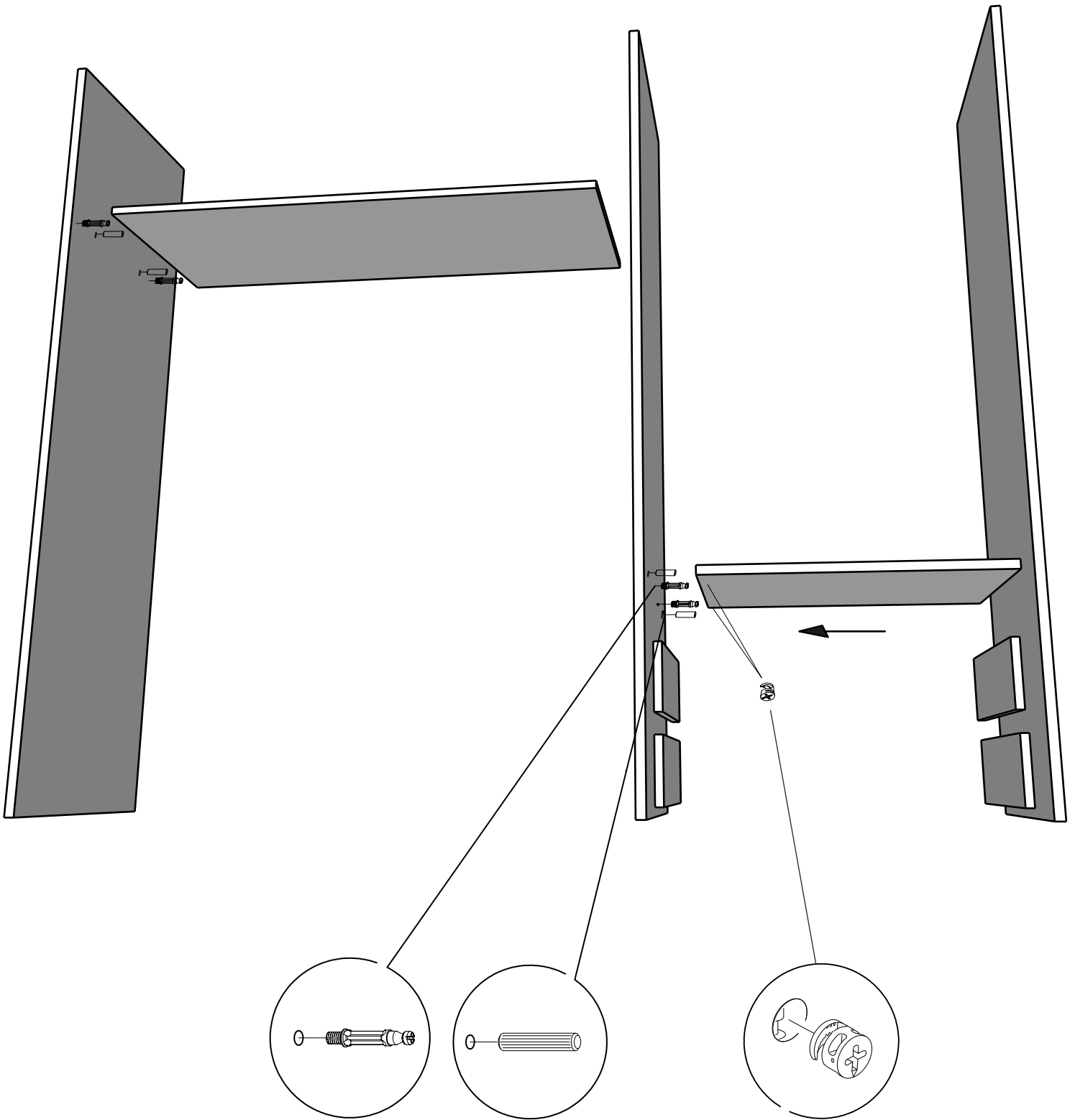


X4



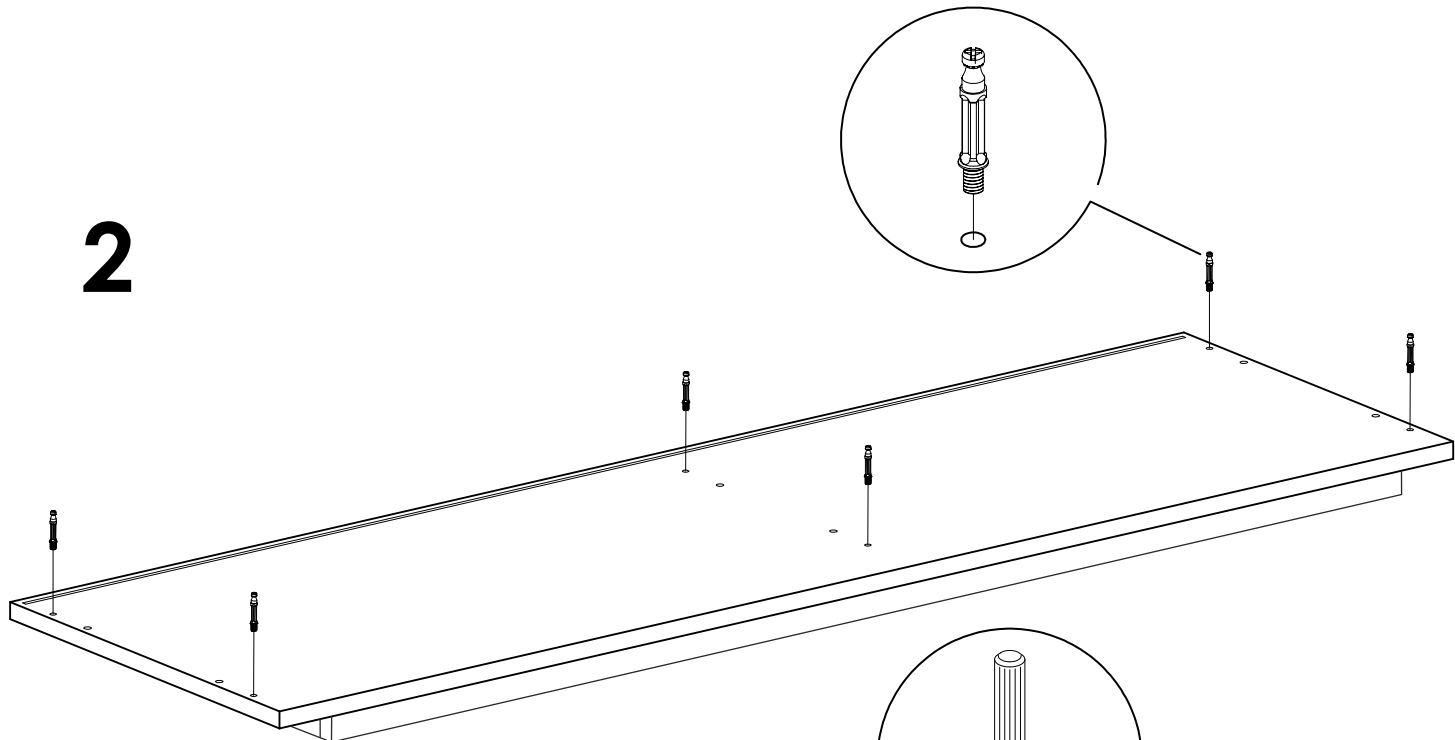
X1

1

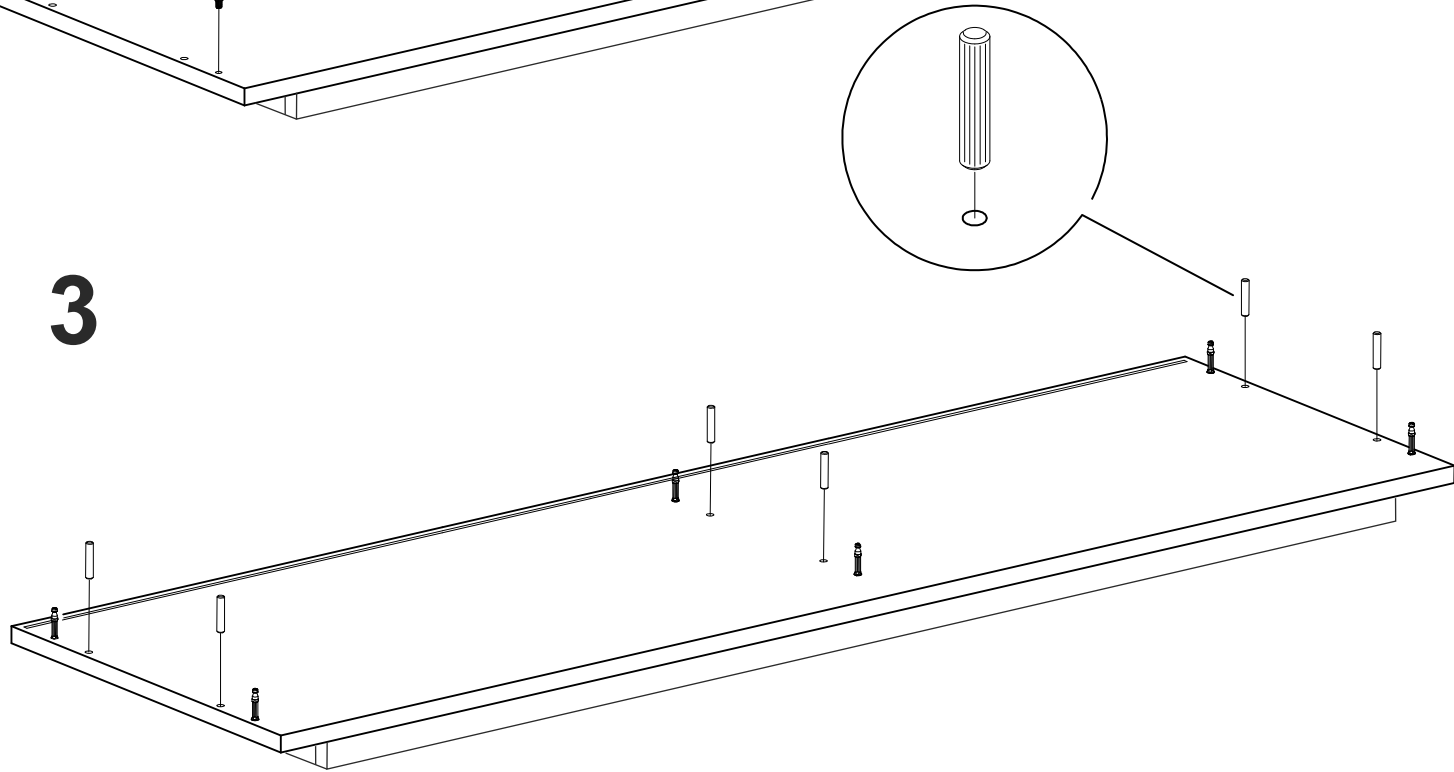


Note! If 2 doors wardrobe, then wider detail (431 x 570mm) will go on right side.

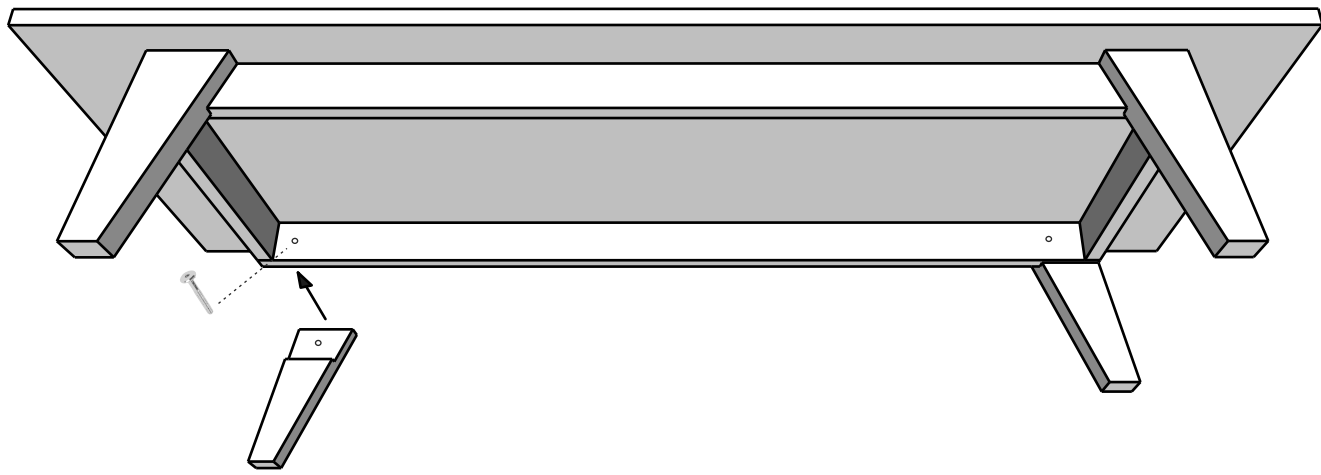
2



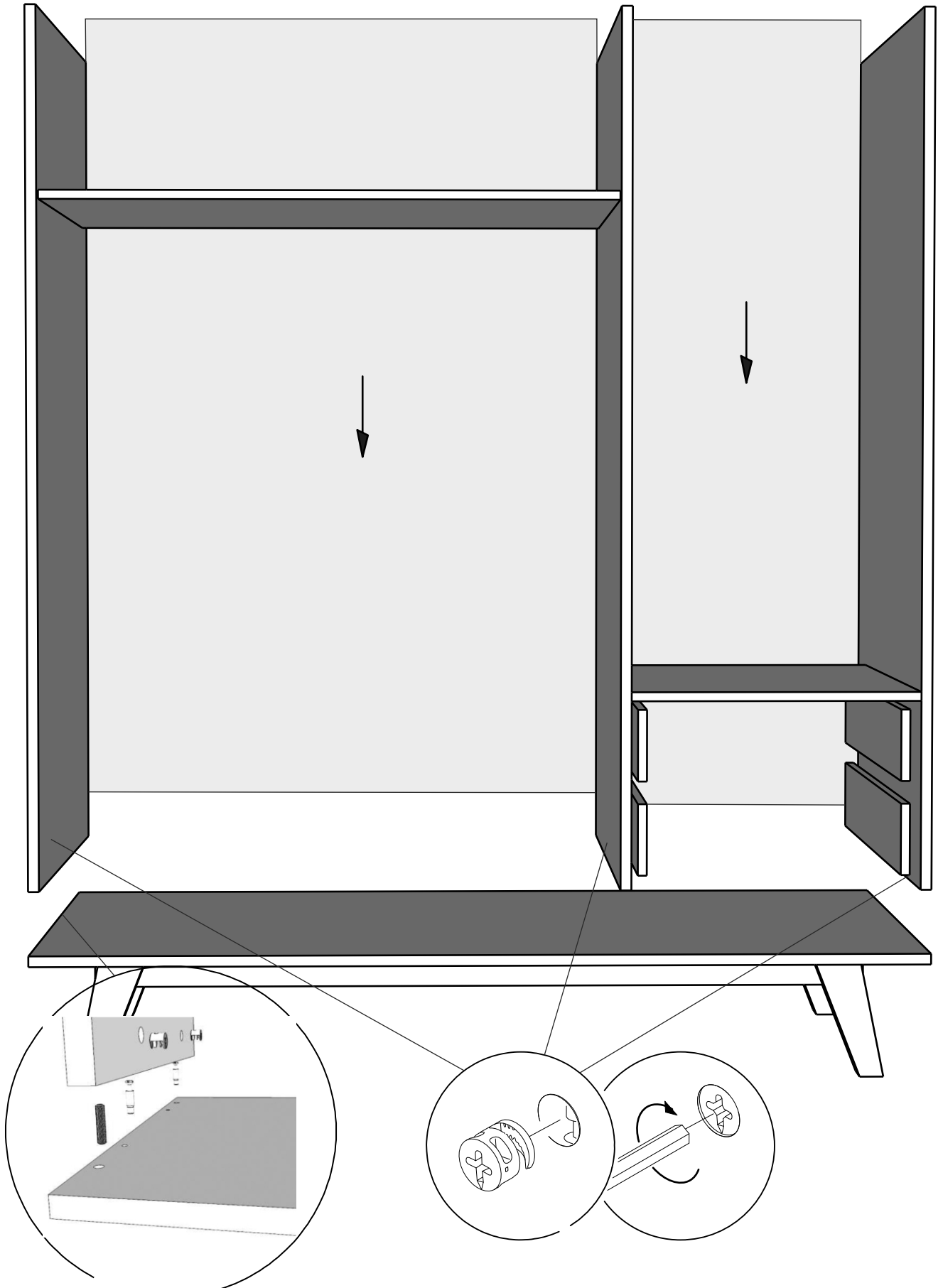
3



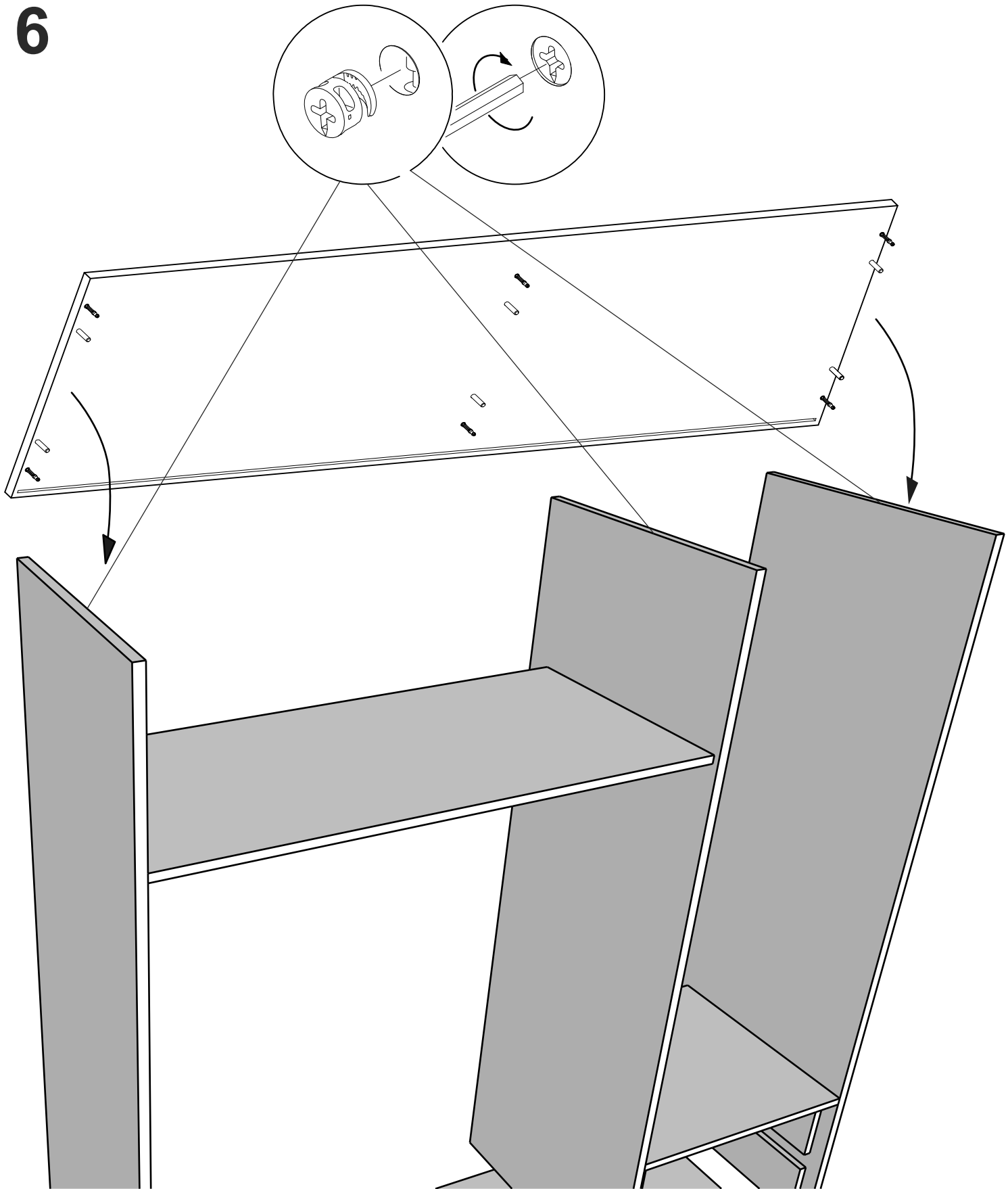
4



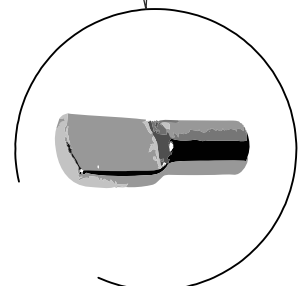
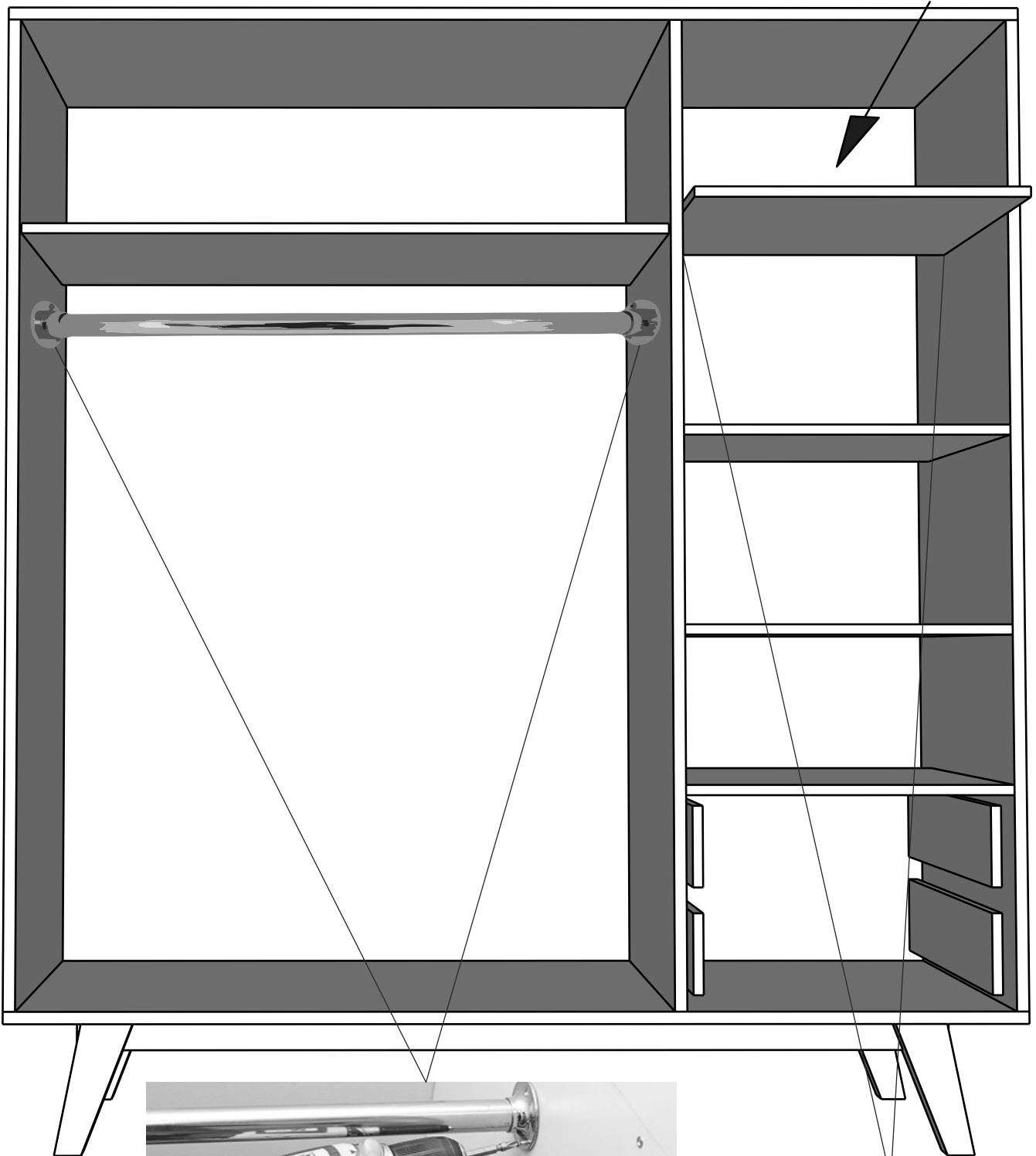
5



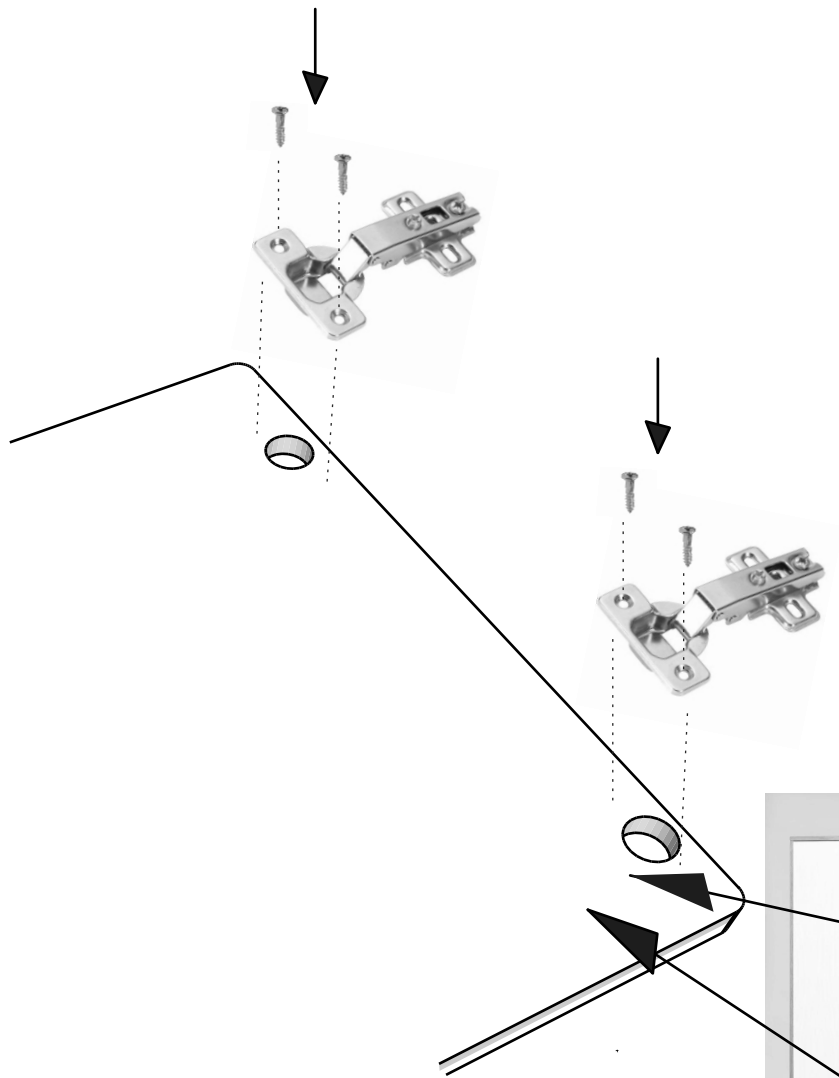
6



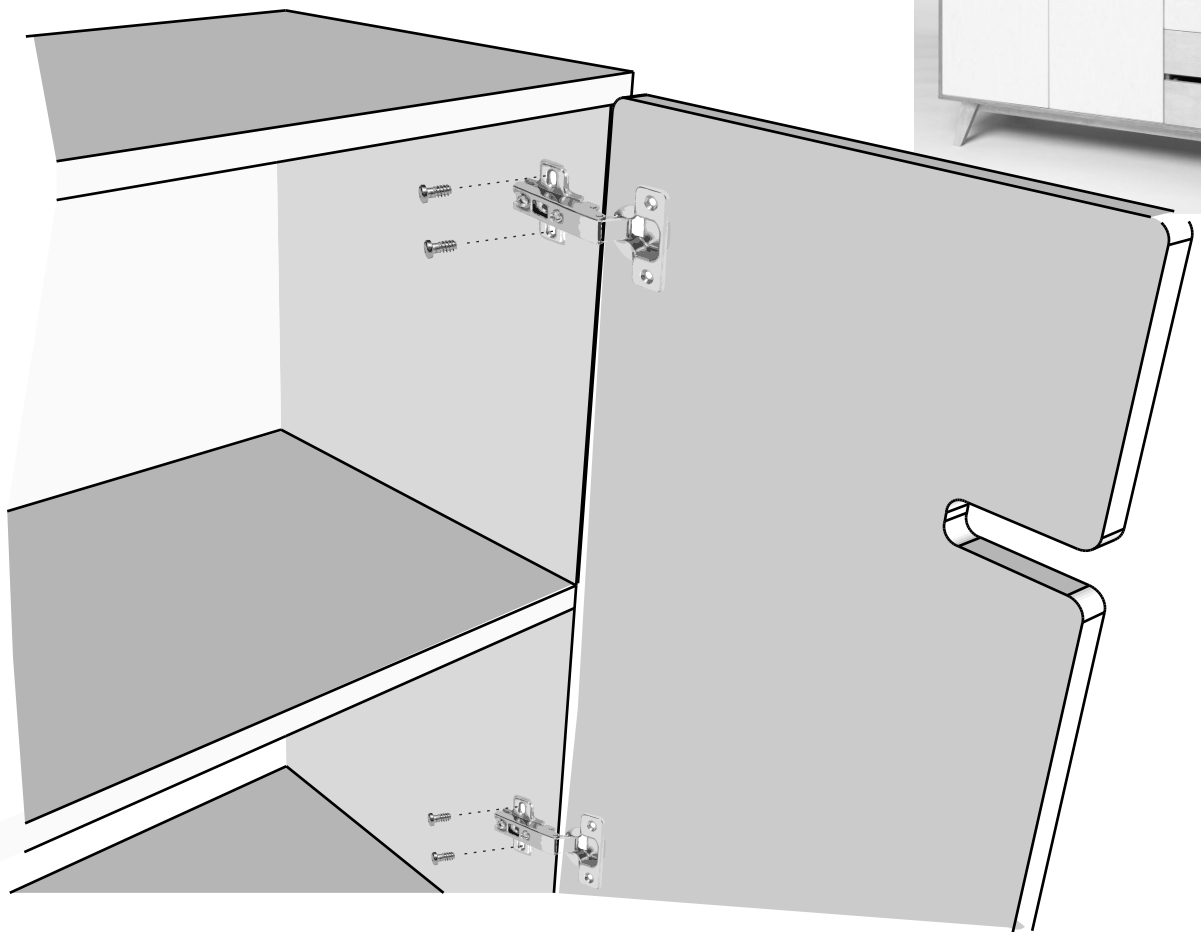
7



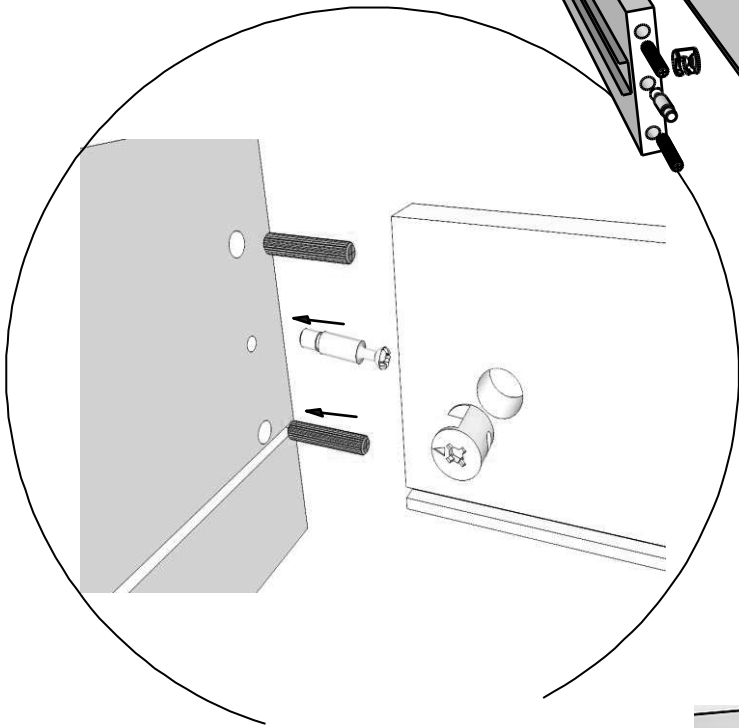
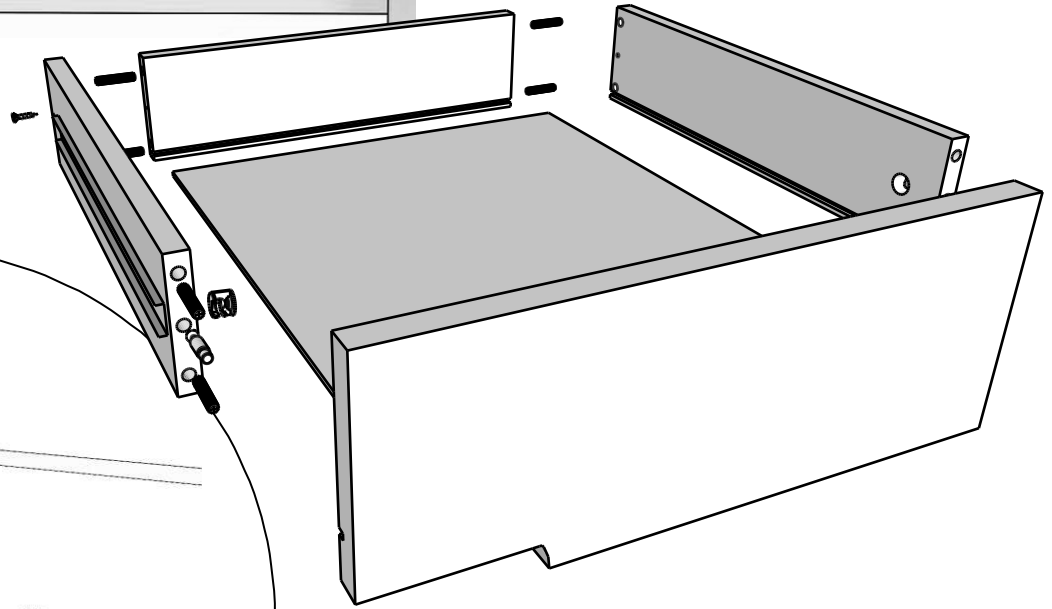
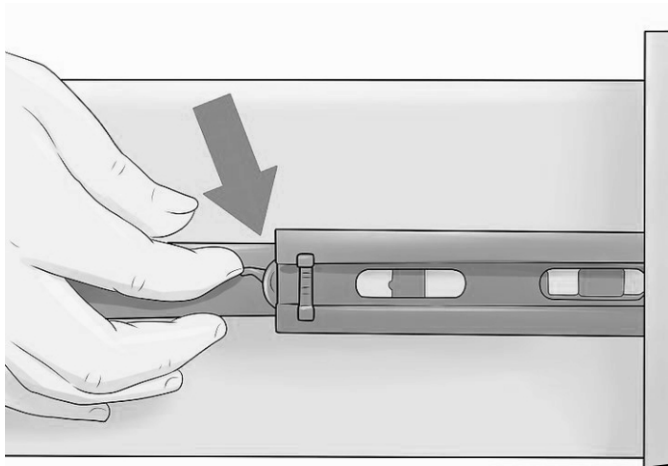
8



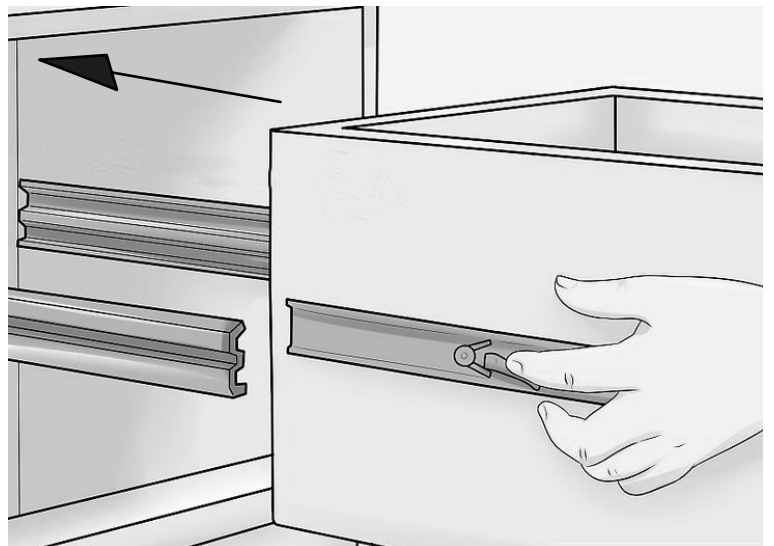
9

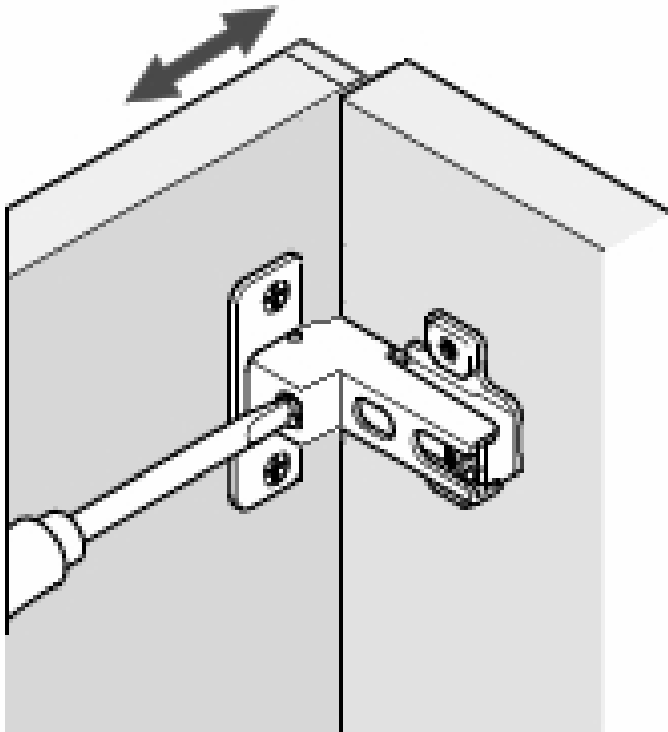


10

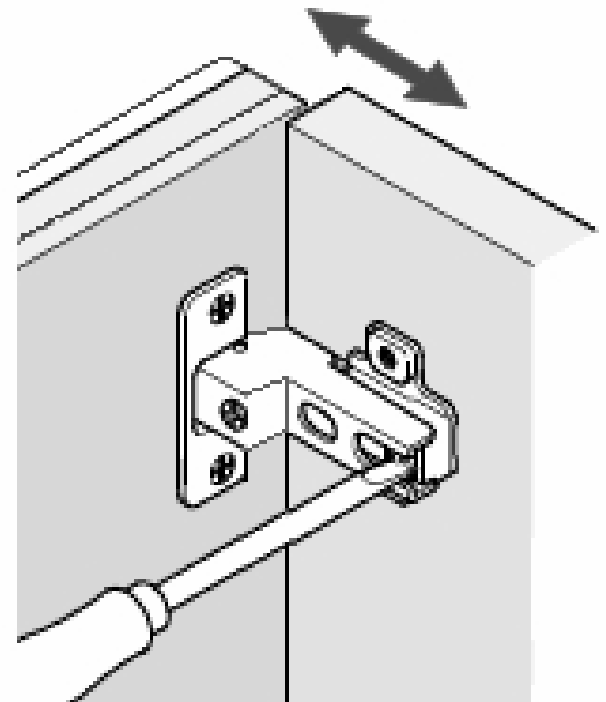


11

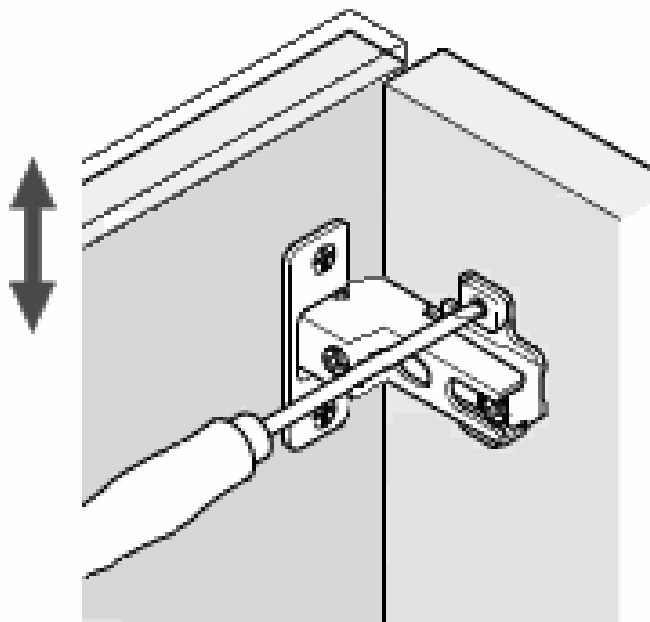




Lateral Adjustment
Moving Door
Left – Right



Front To Back Adjustment
Spacing Door Off Carcass



Vertical Adjustment
Moving Door
Up & Down