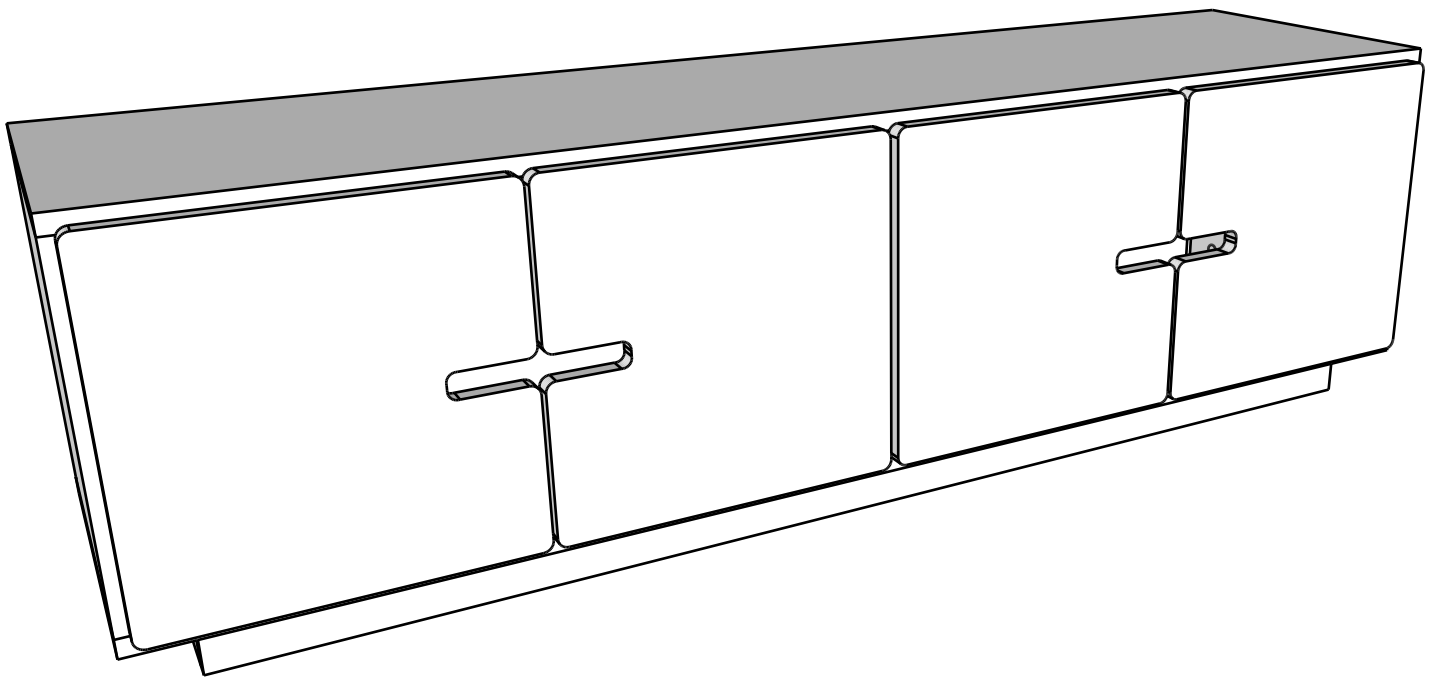


ASSEMBLY INSTRUCTION

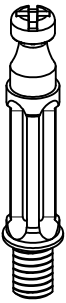
# TV STAND PIX



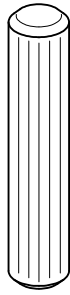
radis

*Nordic Elegance*

WWW.RADIS.EE



X12



X12



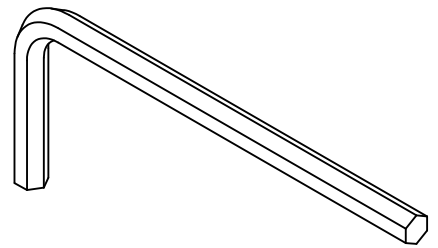
X12



X8



X8

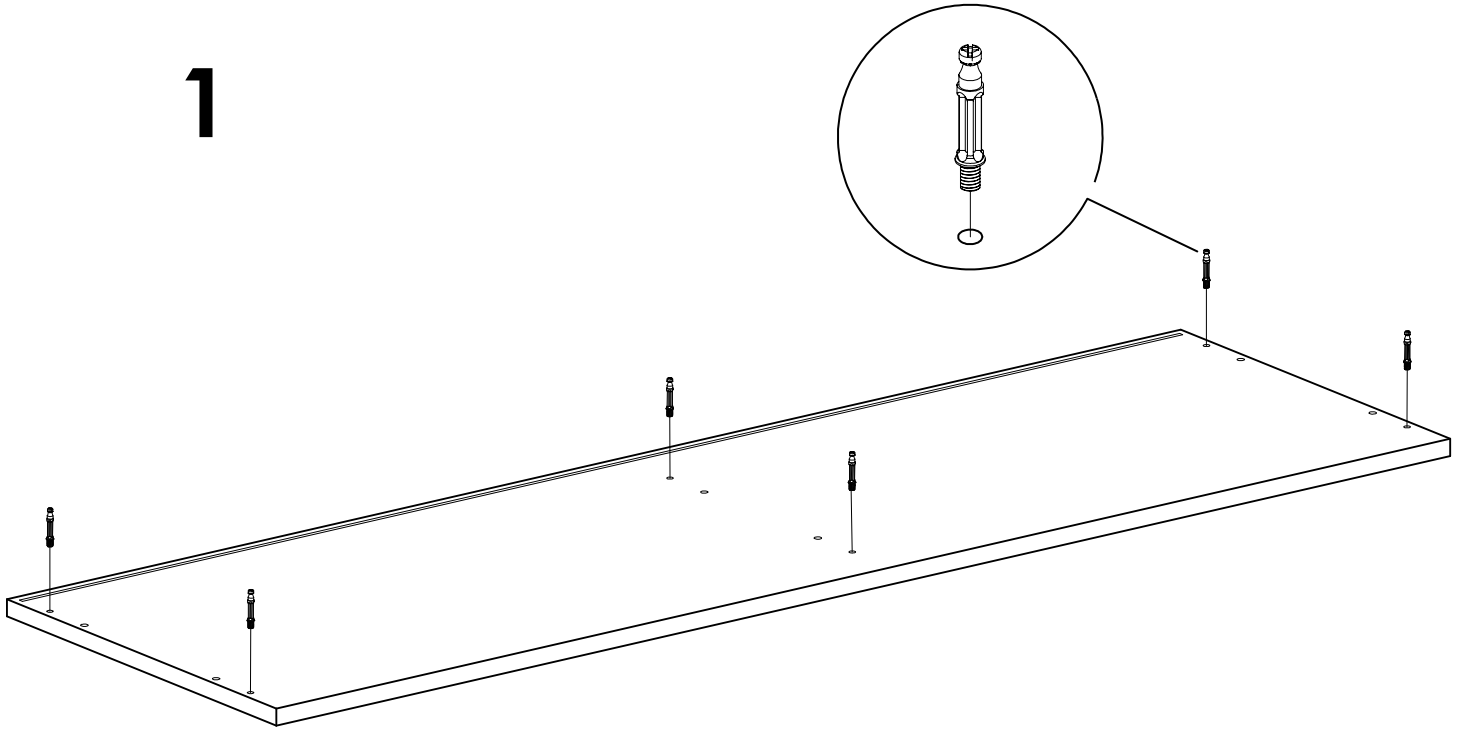


X1

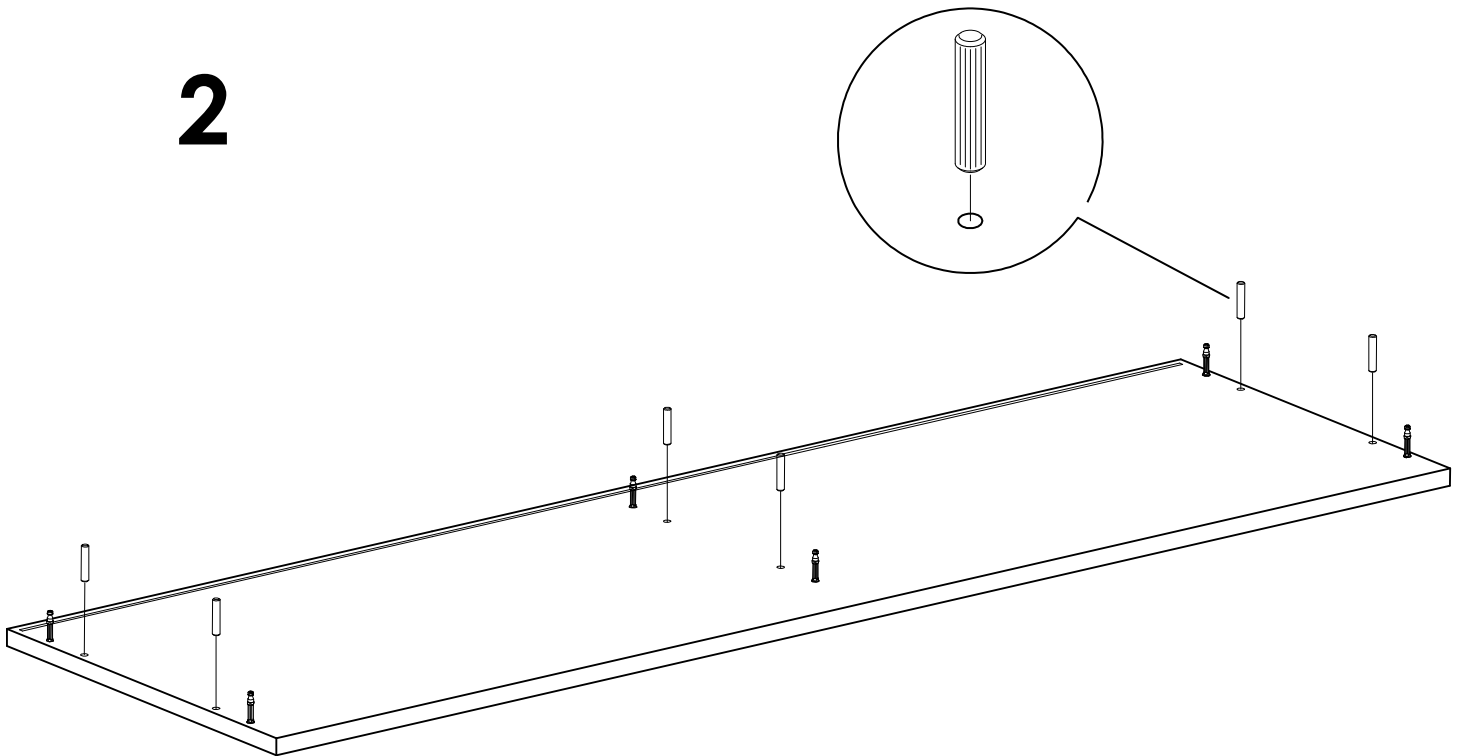


X8

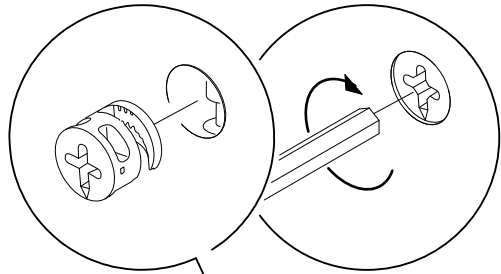
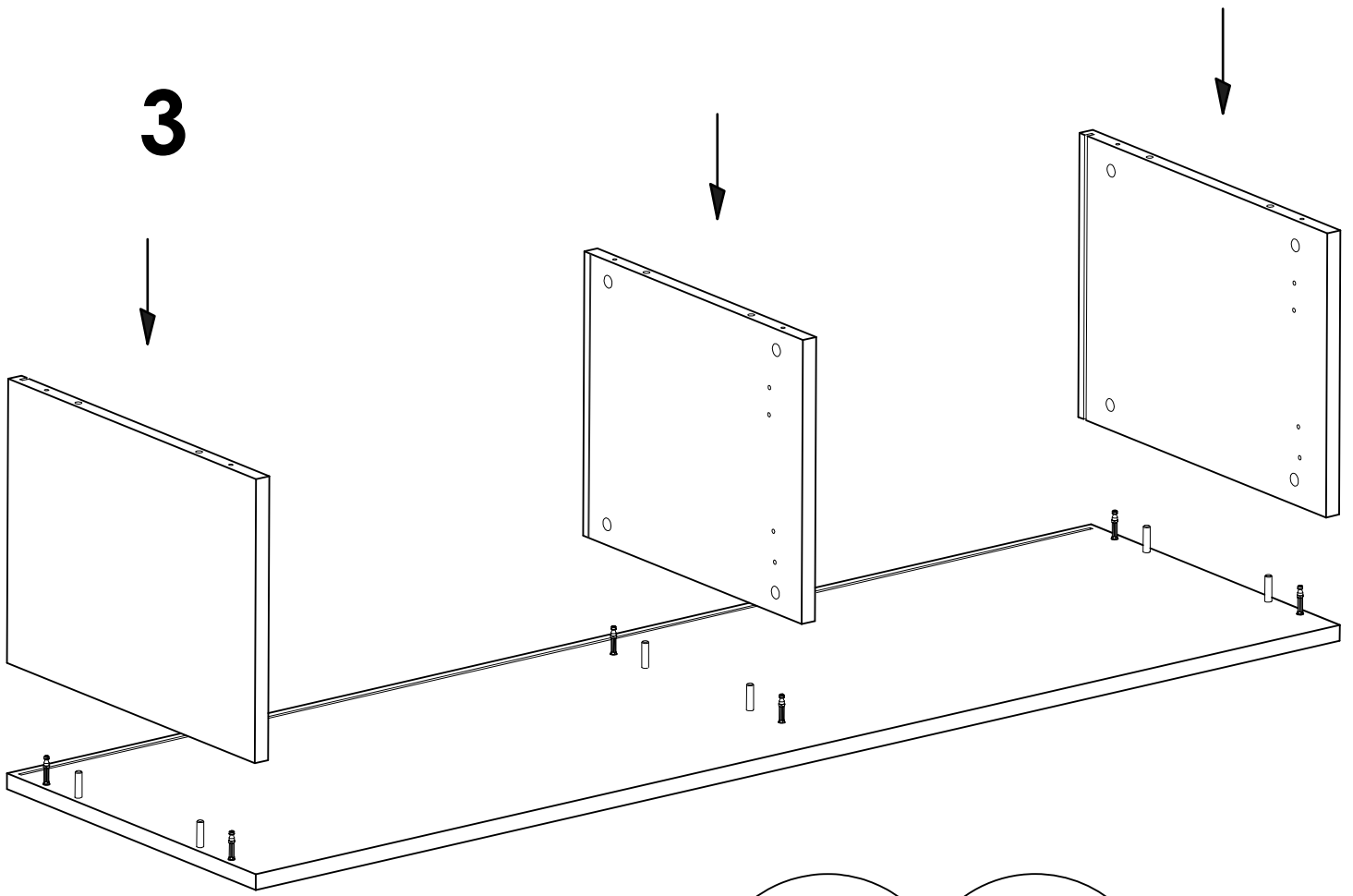
1



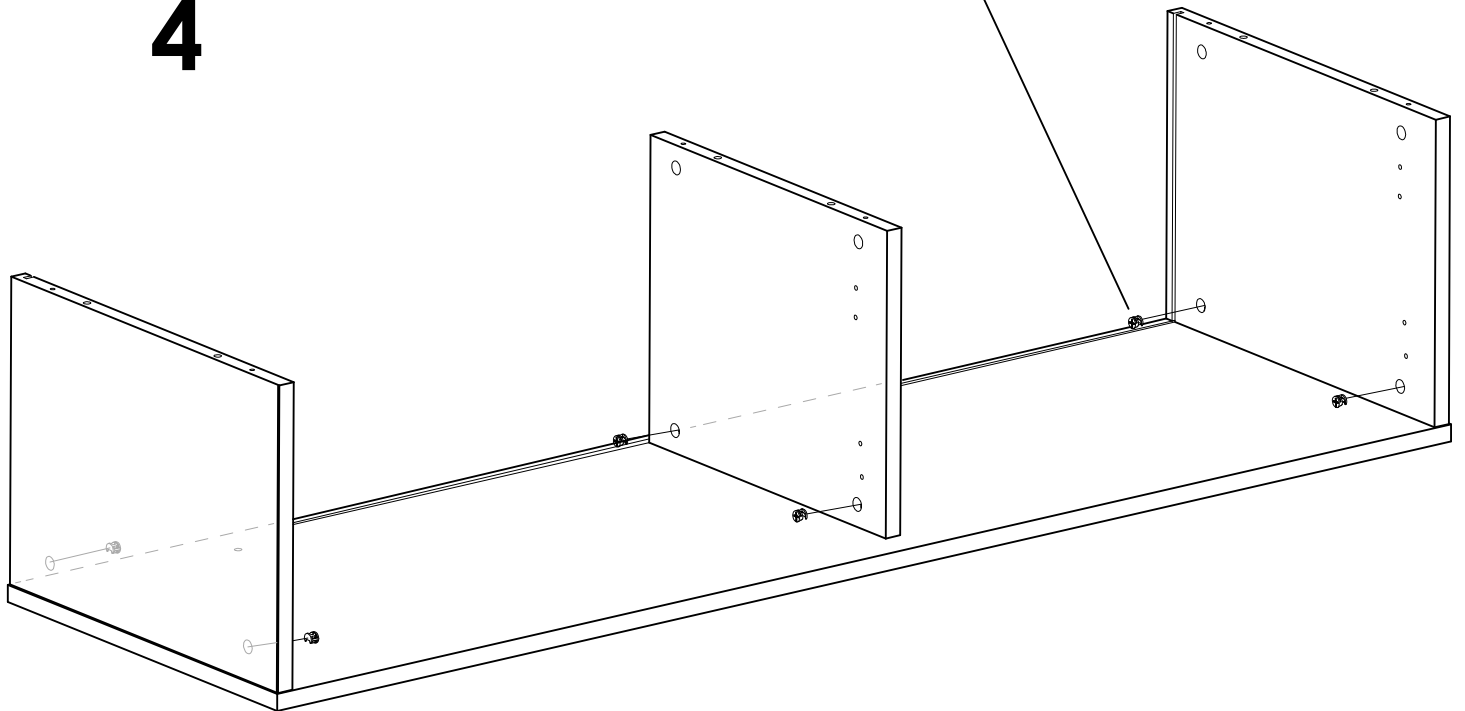
2

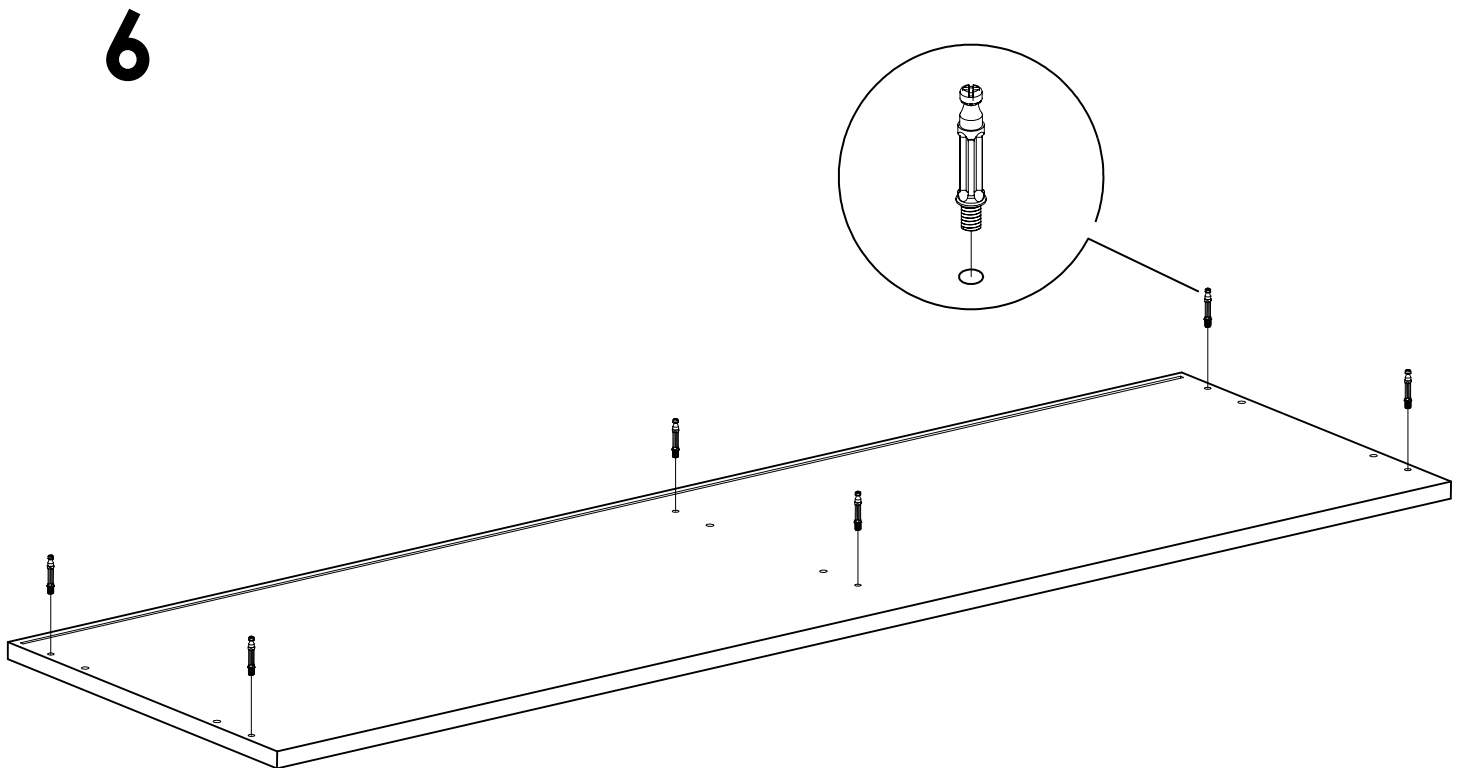
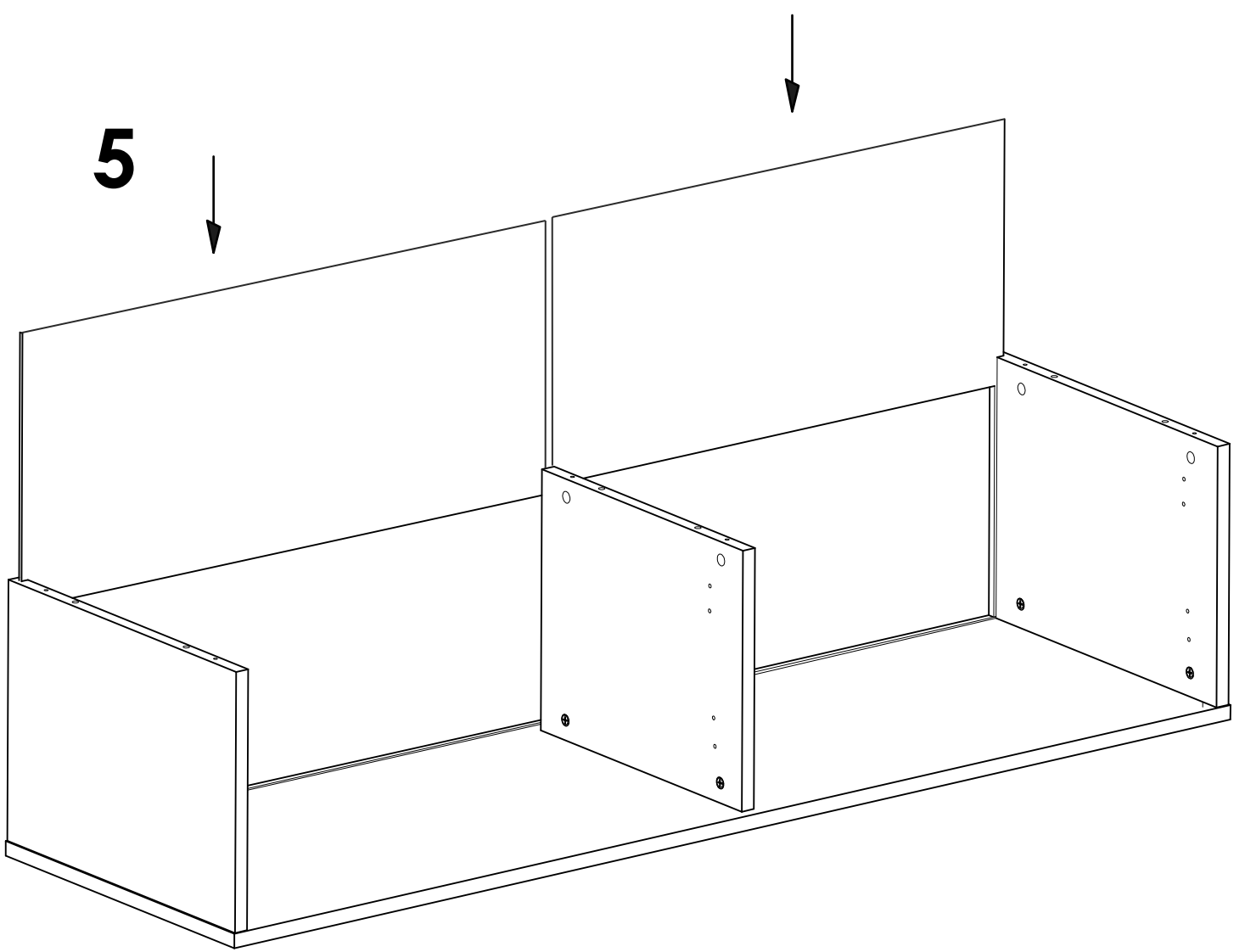


**3**

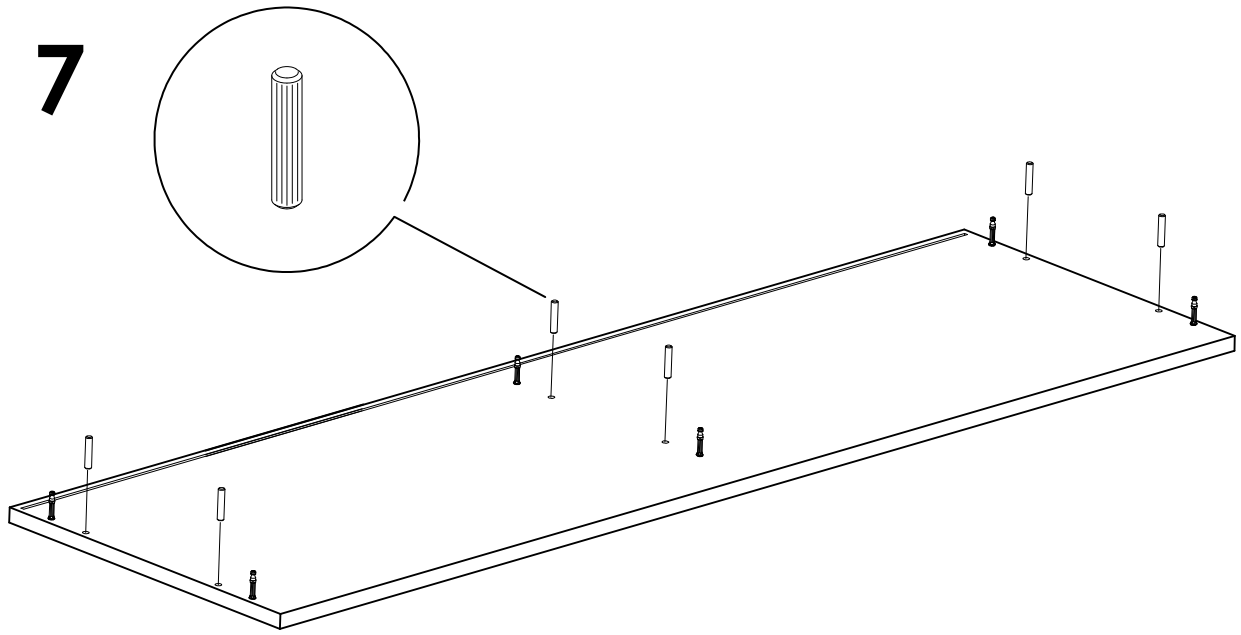


**4**

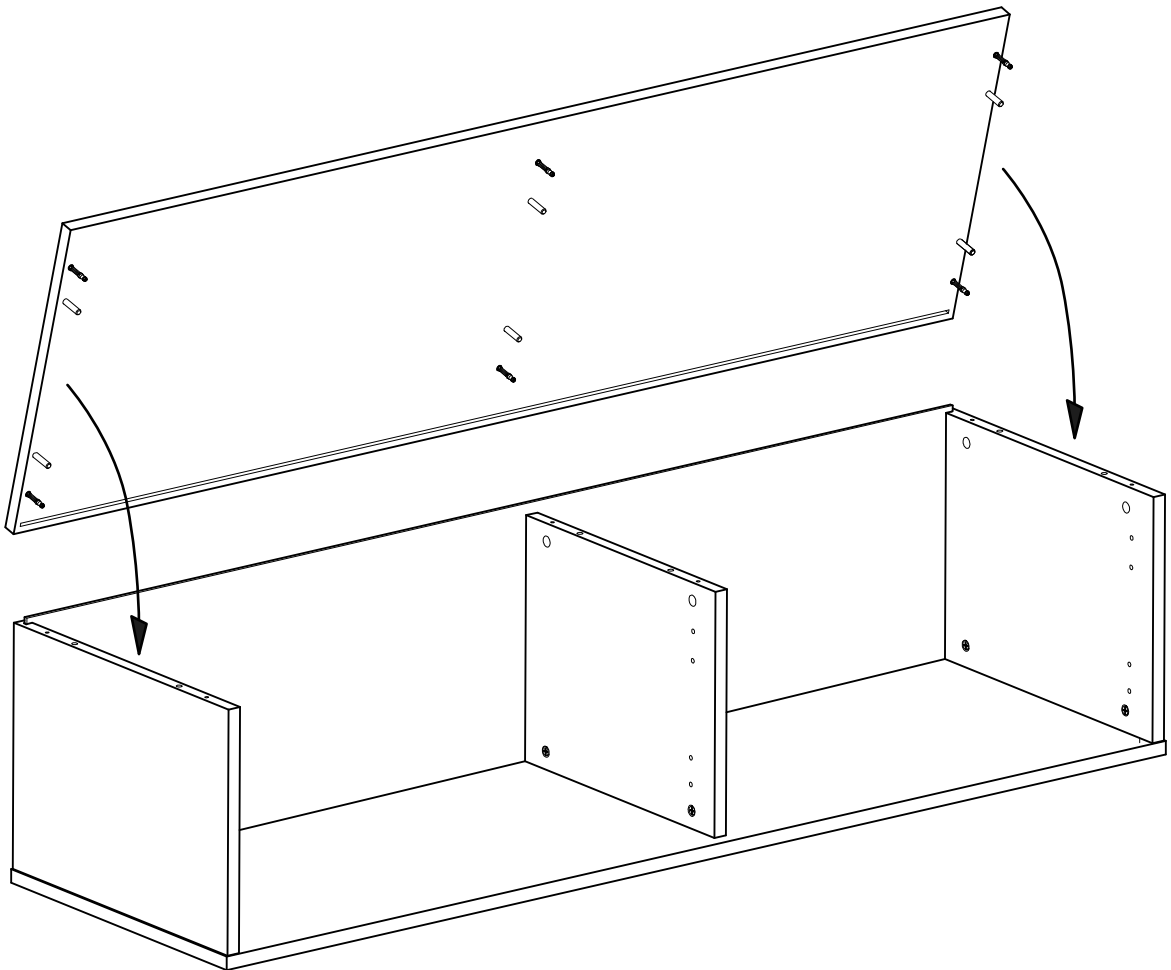




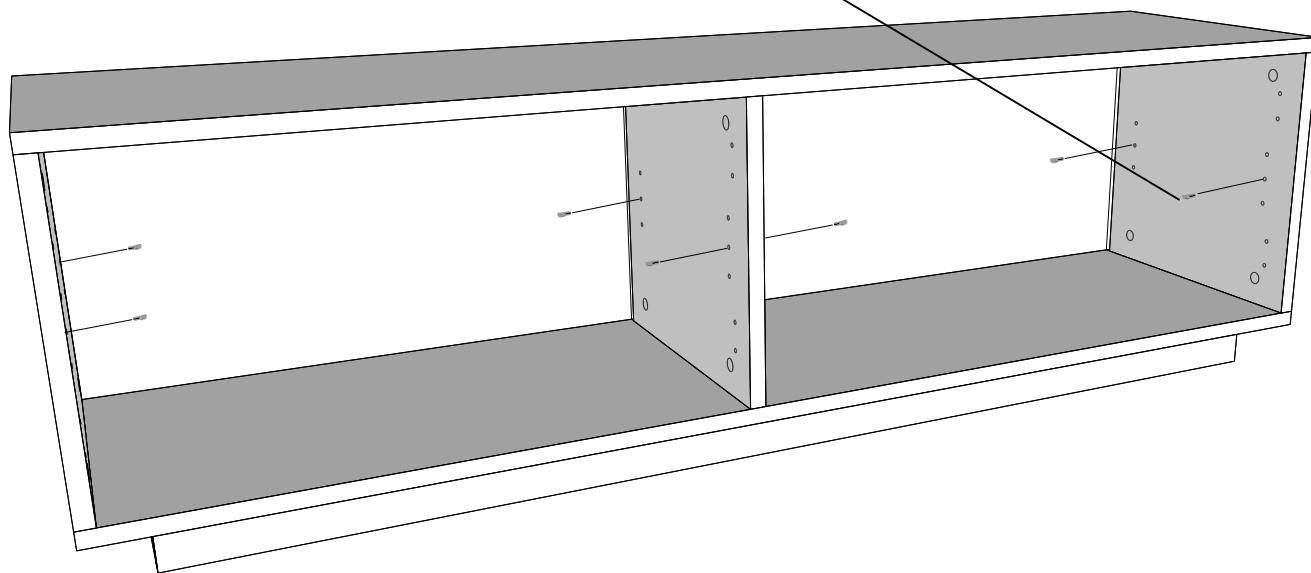
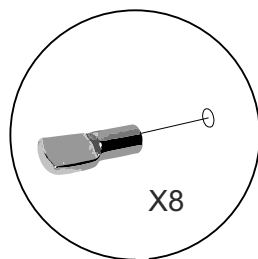
7



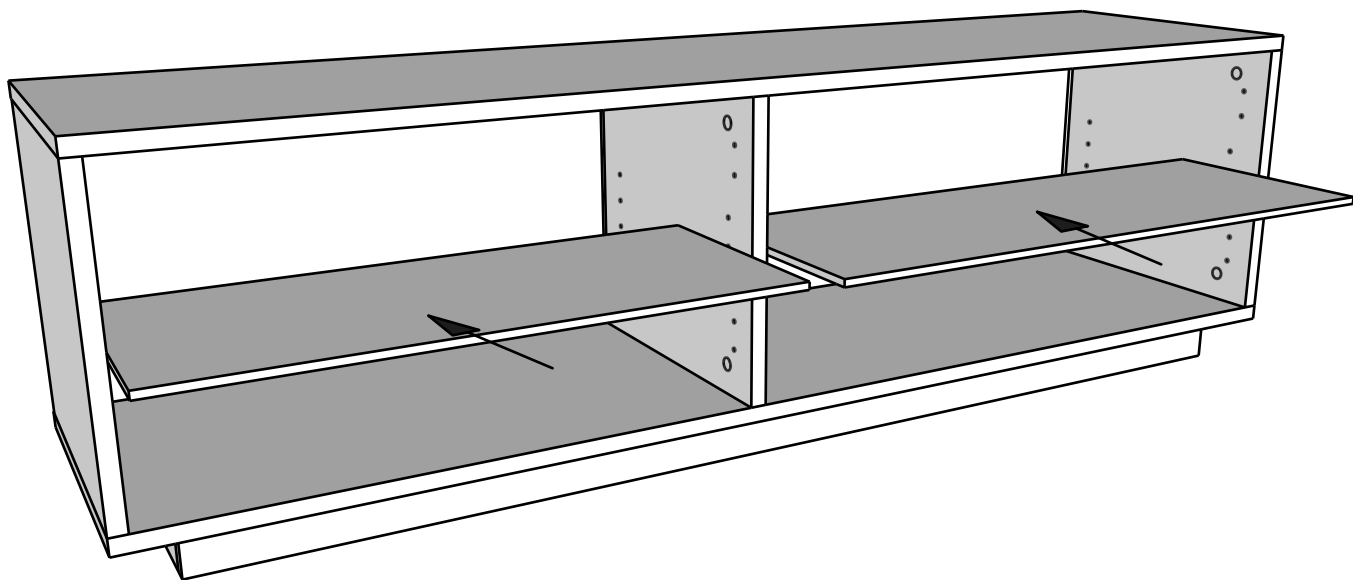
8



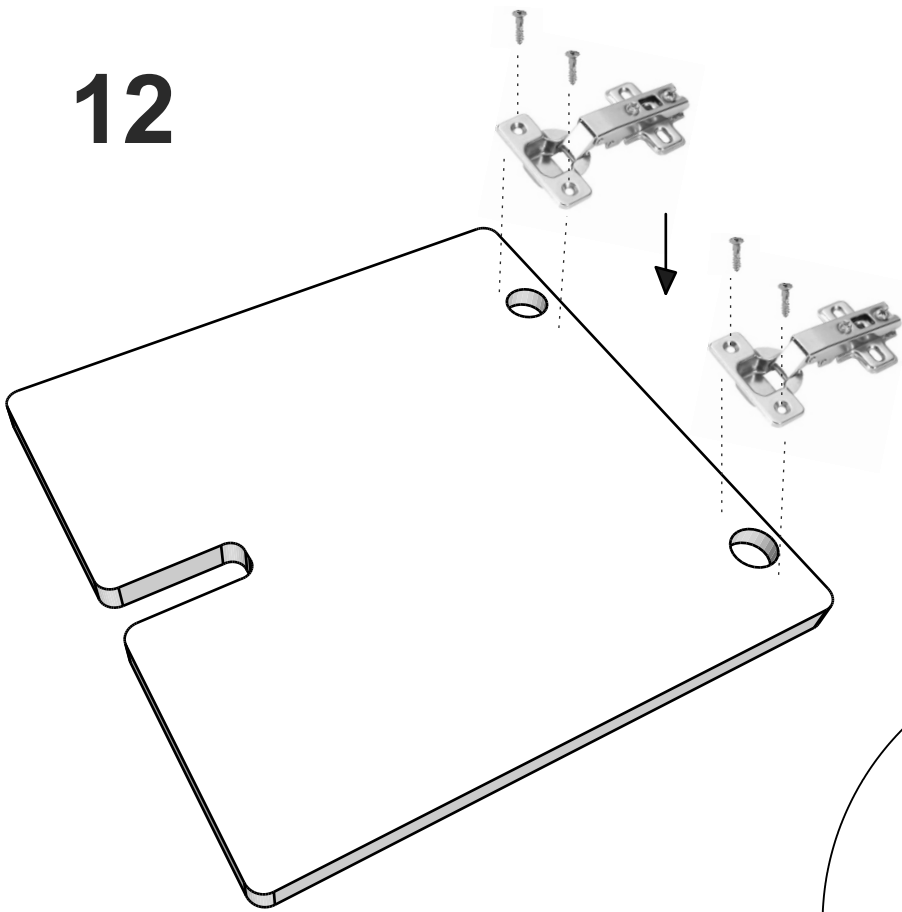
# 10



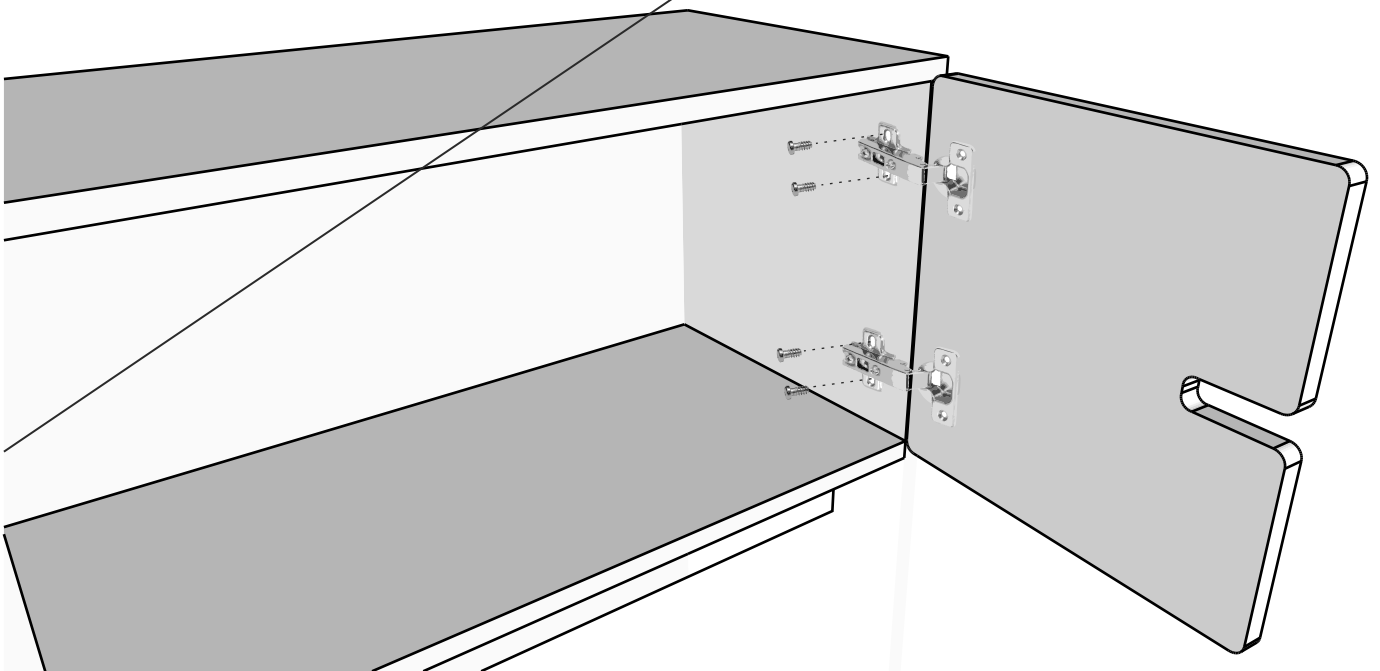
# 11



12



13



**IMPORTANT:**

FOR CENTER DOORS USE HINGES THAT HAVE SMALL 11MM SCREWS