

ASSEMBLY INSTRUCTION

SIDEBOARD MAZE



4X4



4X2



2X4

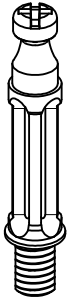


2X2

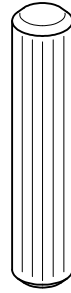
radis

NATURAL COMPACT LIVING

WWW.RADIS.EE



4X4 12
 4x2 8
 2X4 12
 2X2 8



4X4 12
 4x2 8
 2X4 12
 2X2 8



4X4 12
 4X2 8
 2X4 12
 2X2 8



4X4 32
 4X2 16
 2X4 16
 2X2 8



HINGE SCREWS FOR
 CENTRE DOORS

4X4 32
 2X4 16

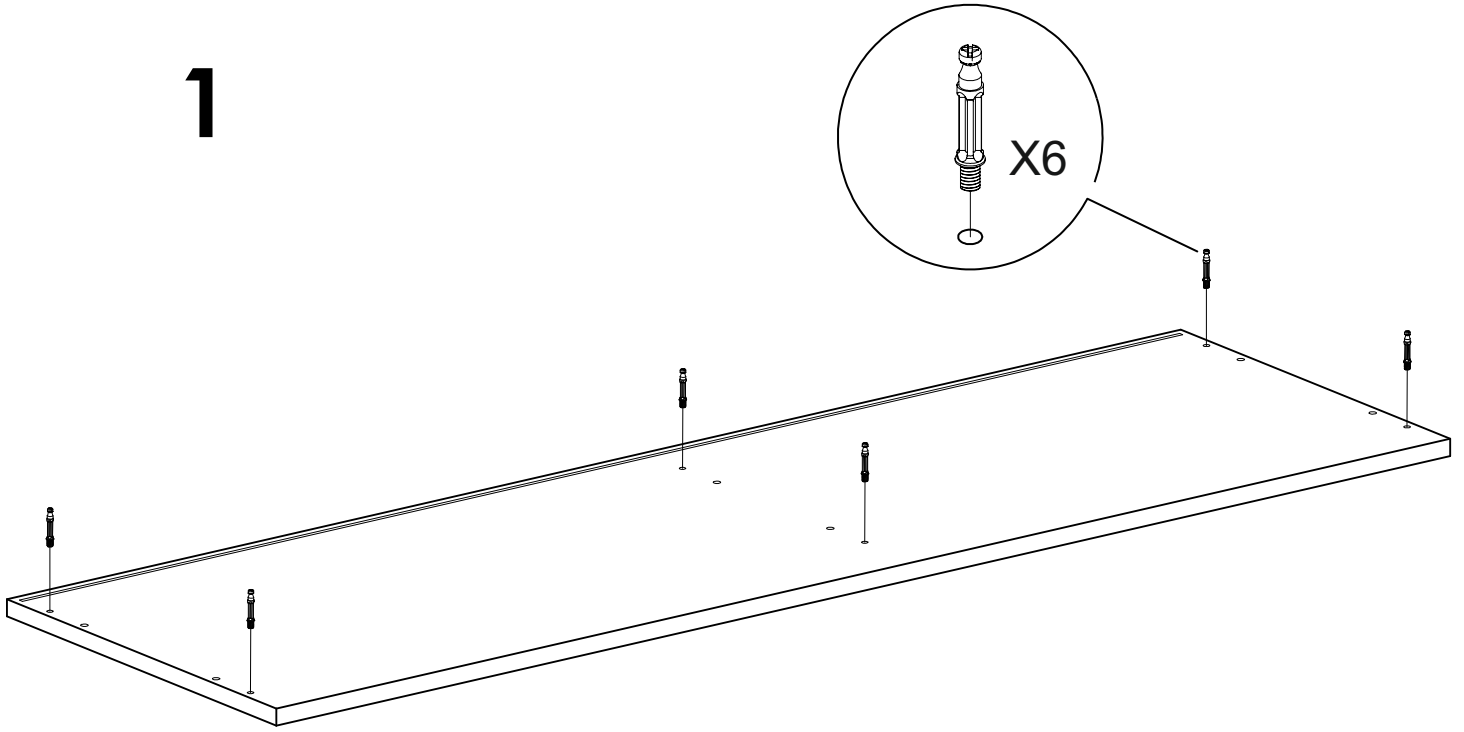


4X4 24
 4x2 12
 2X4 8
 2X2 4

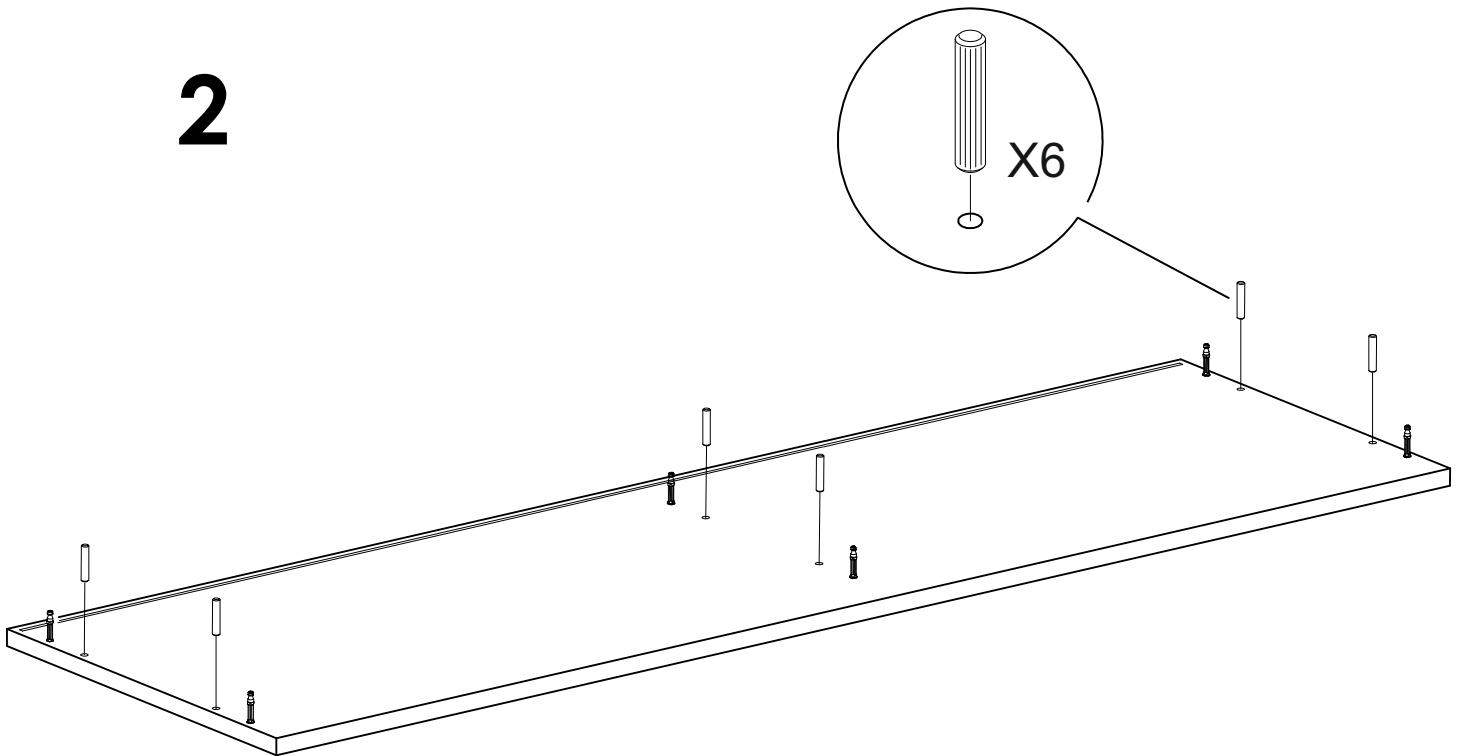


4X4 2
 4X2 2

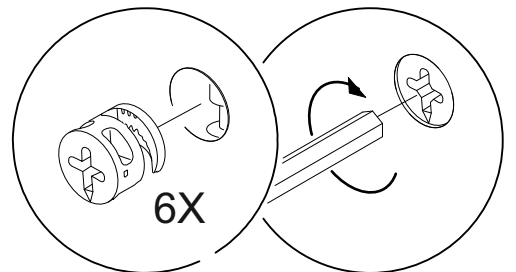
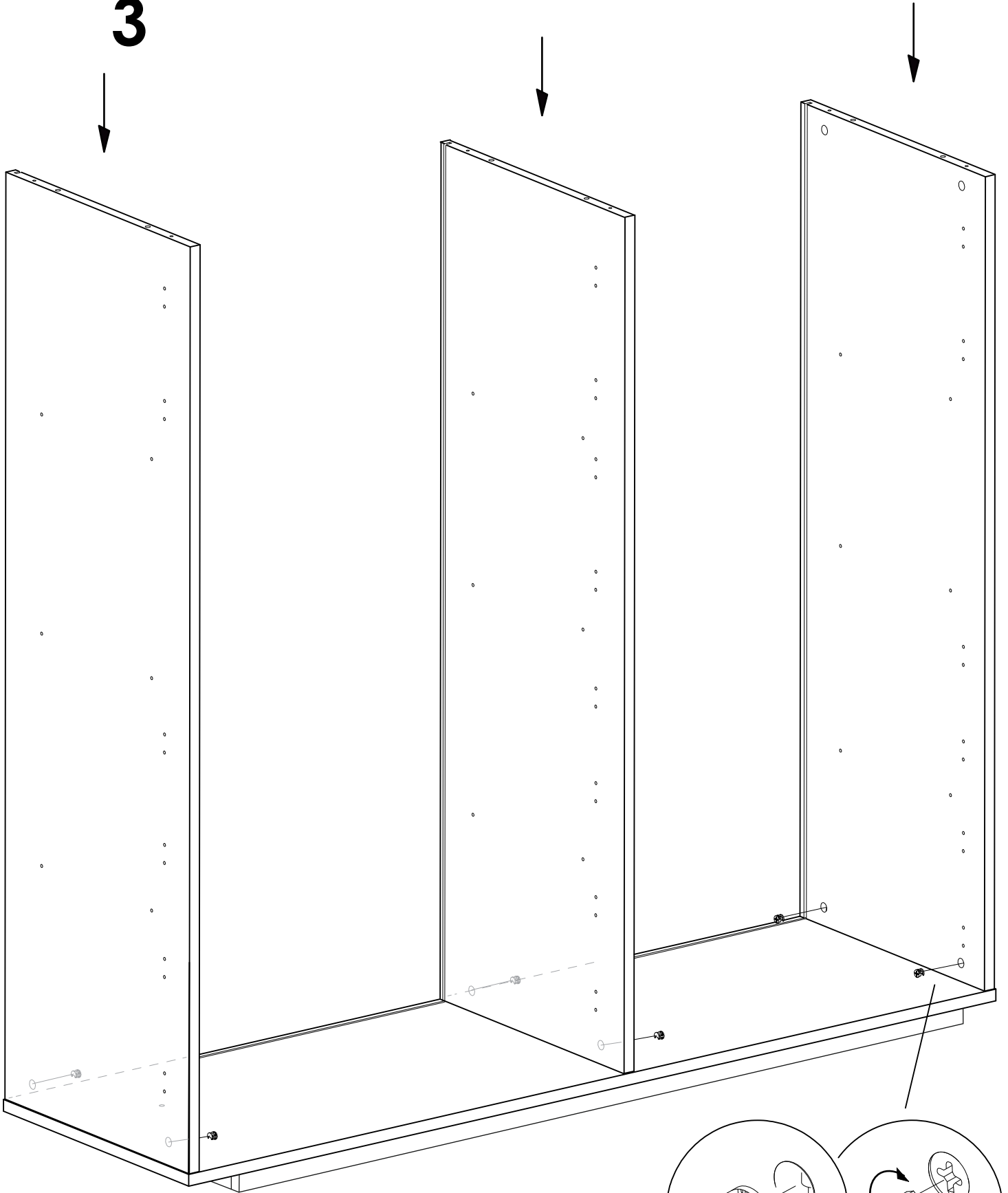
1



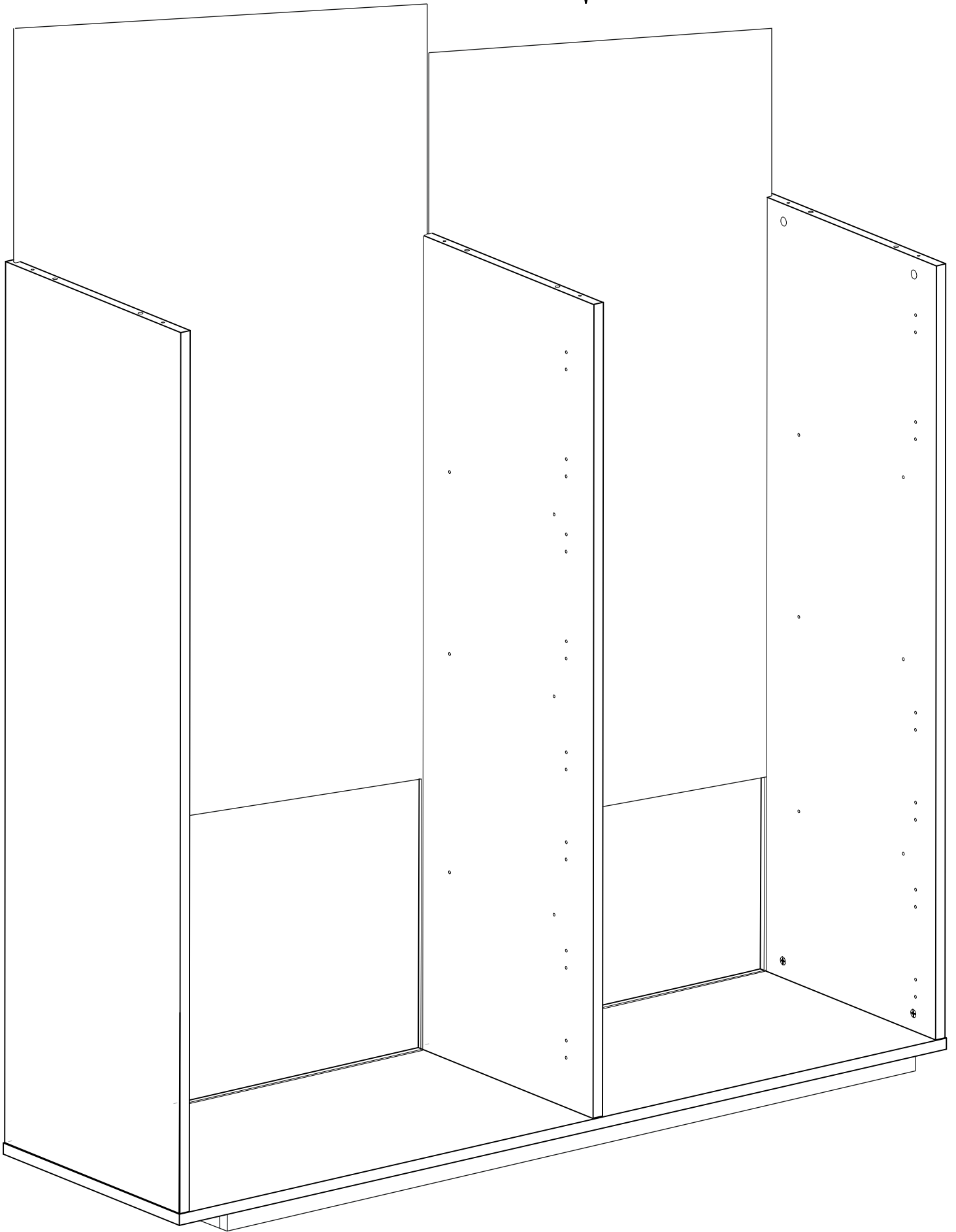
2



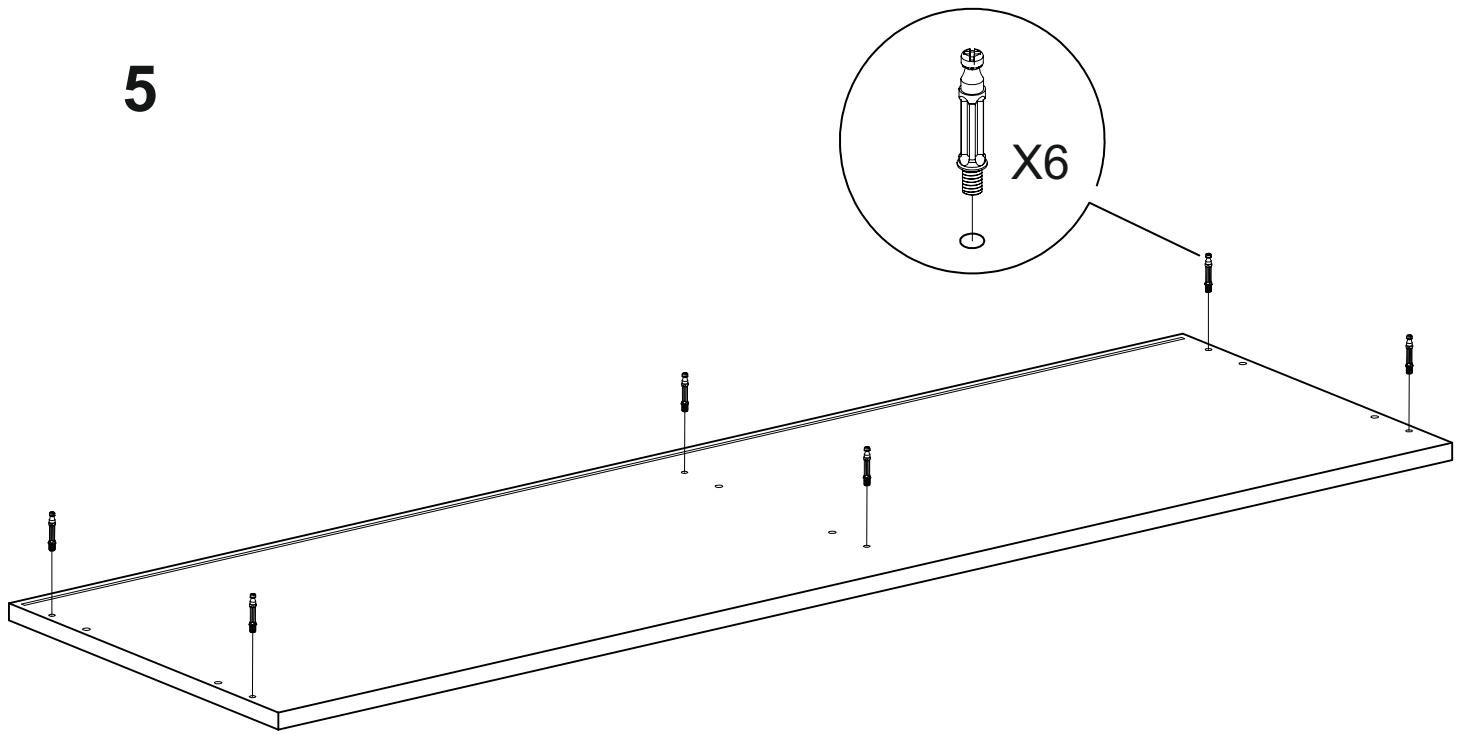
3



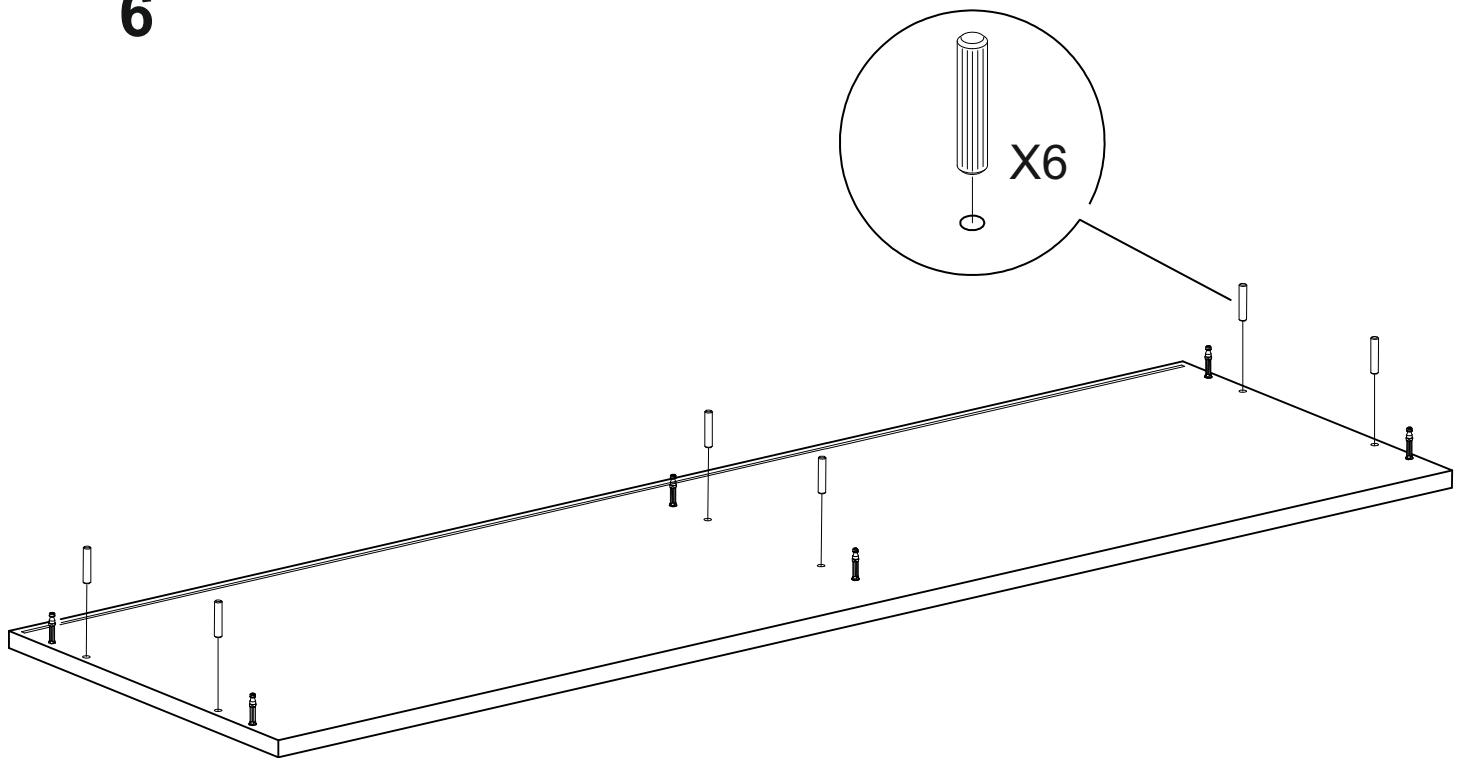
4



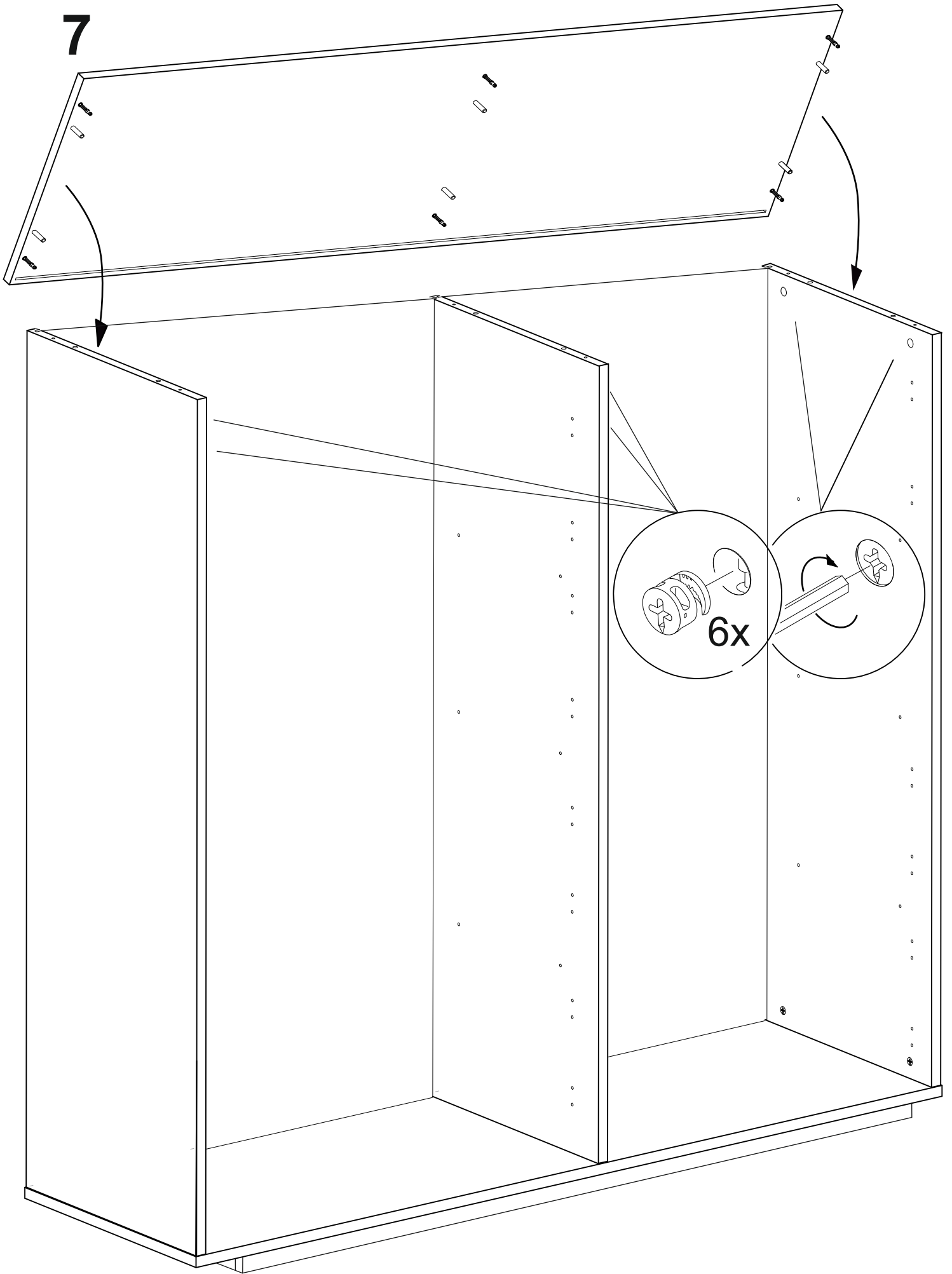
5



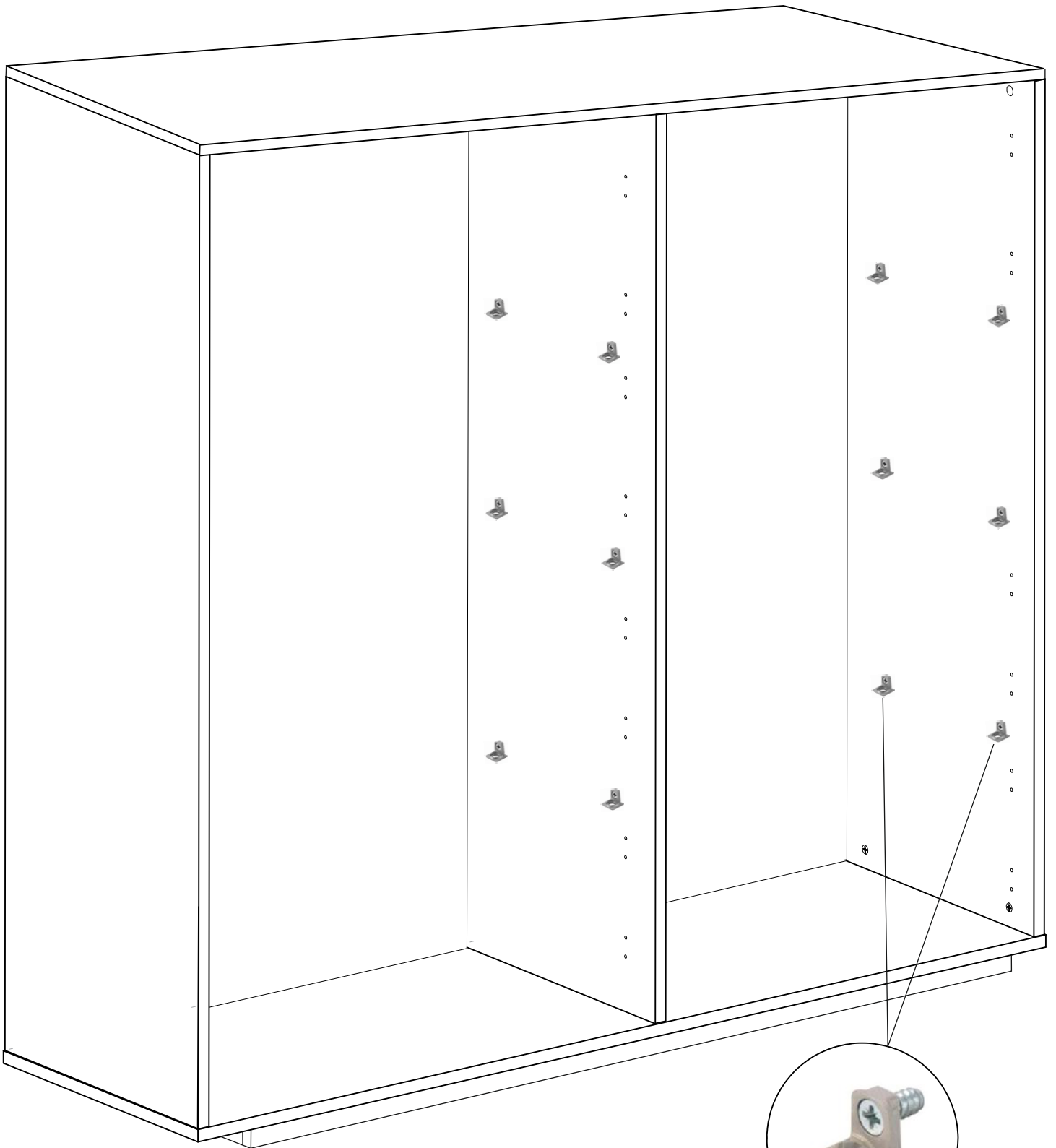
6



7

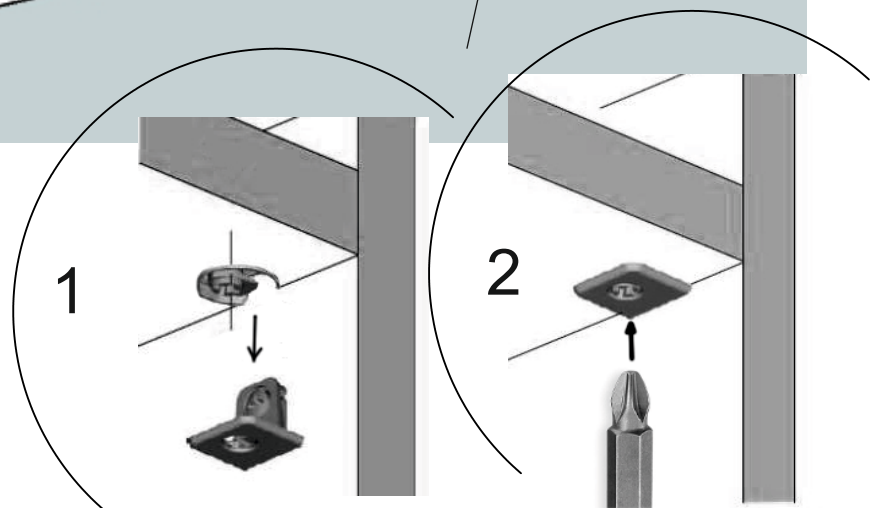
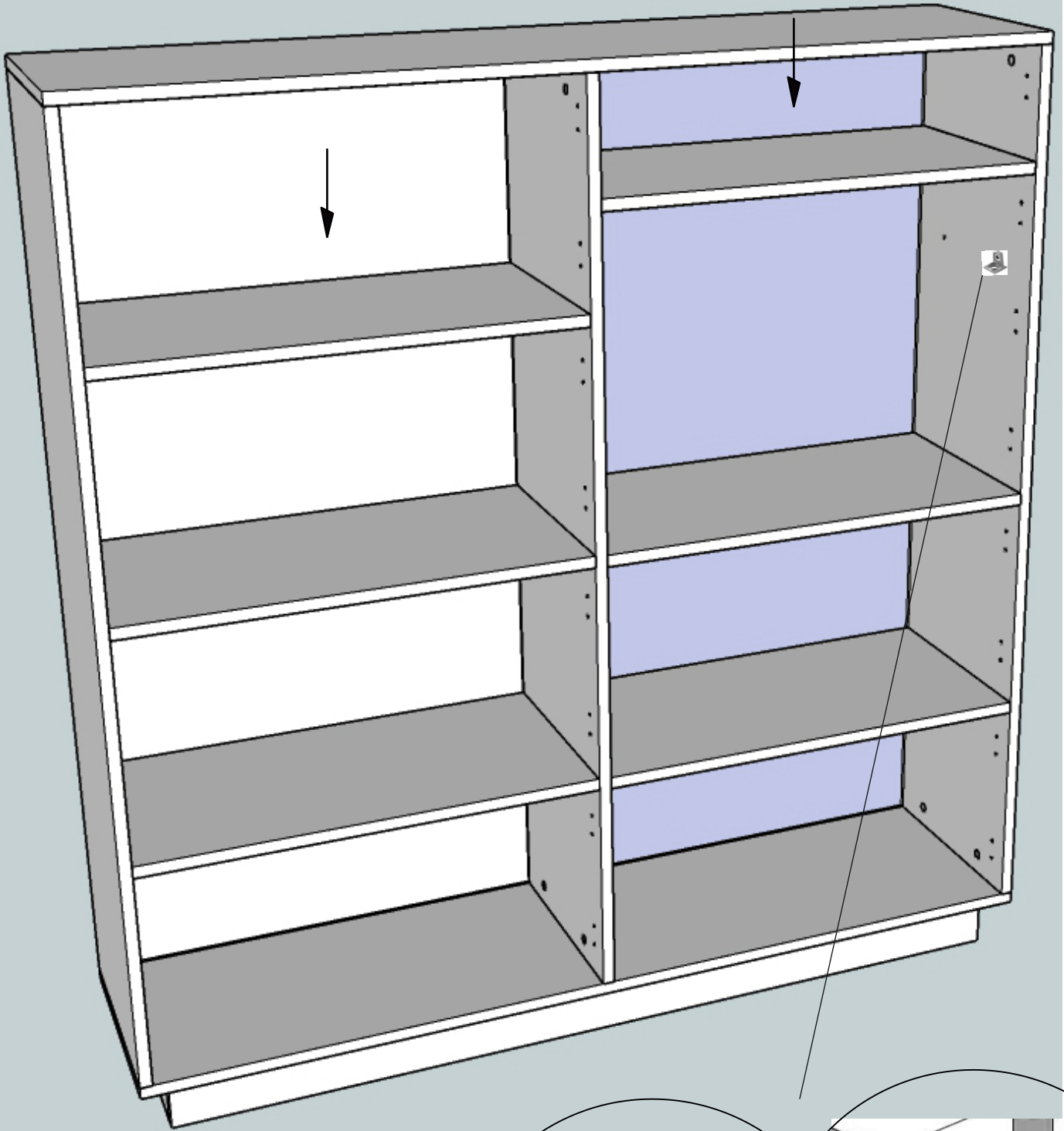


8

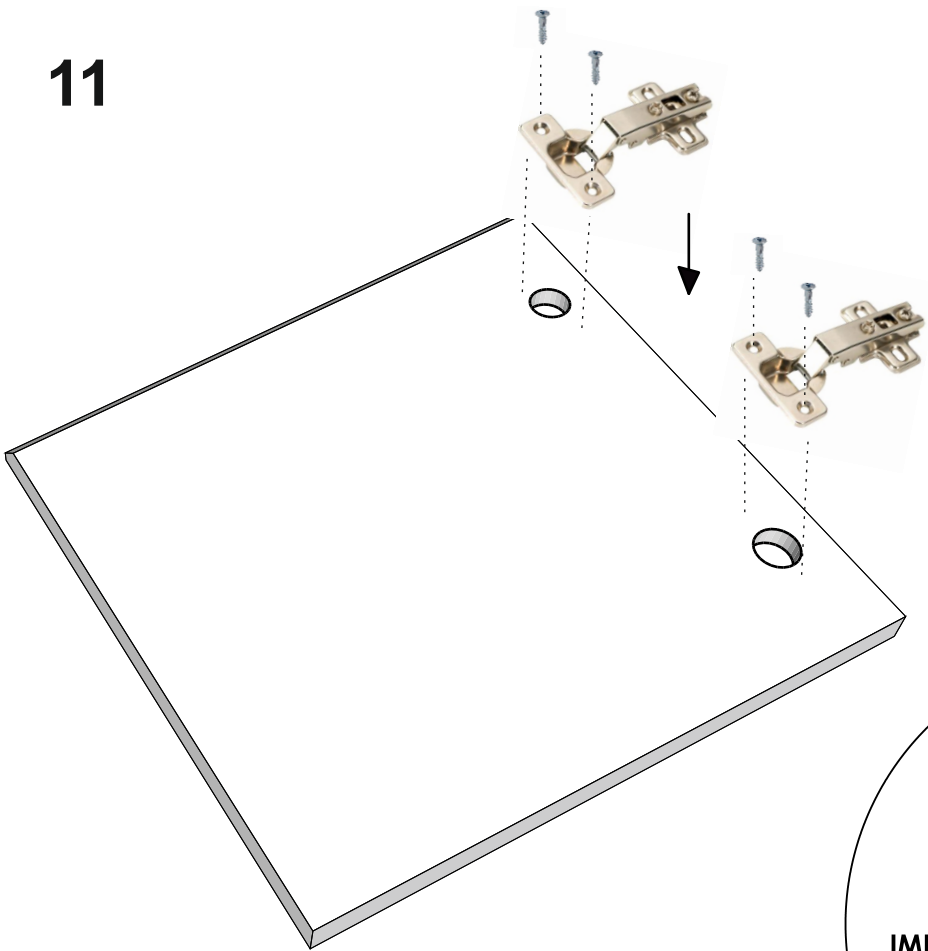


24X

10



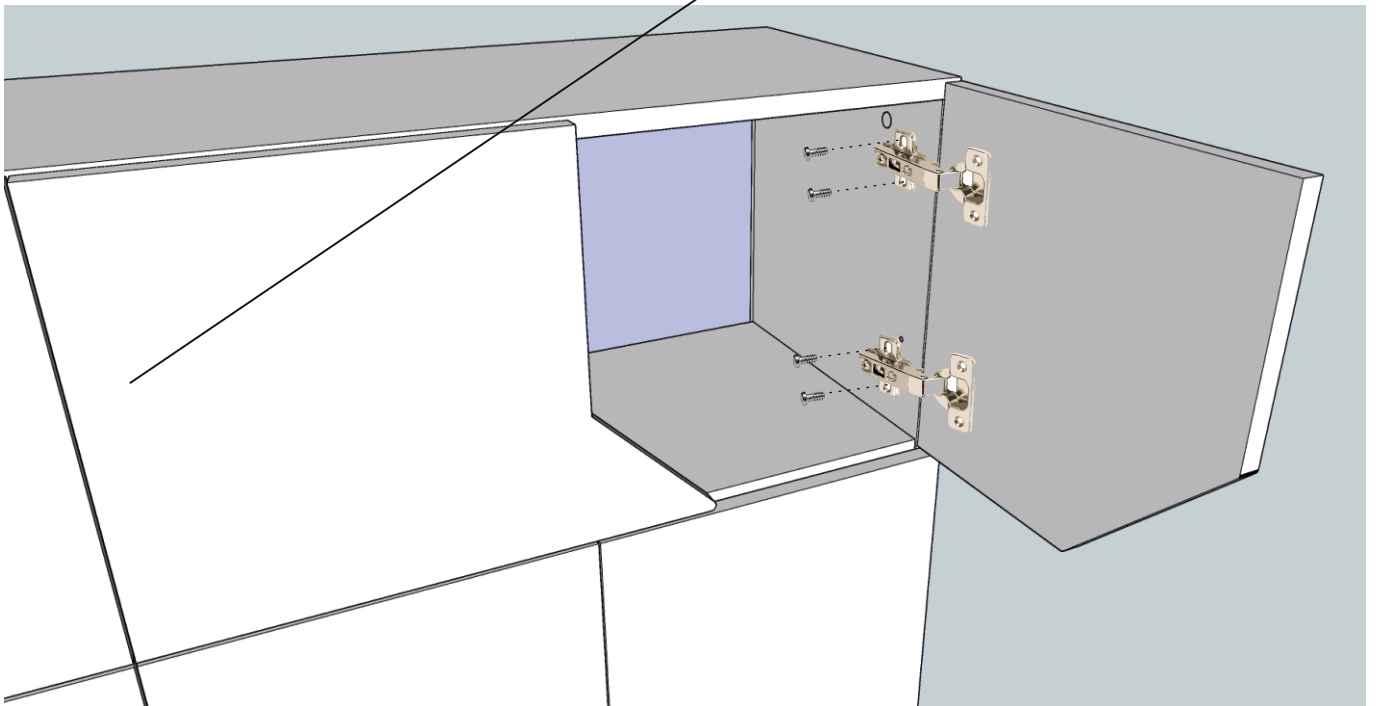
11

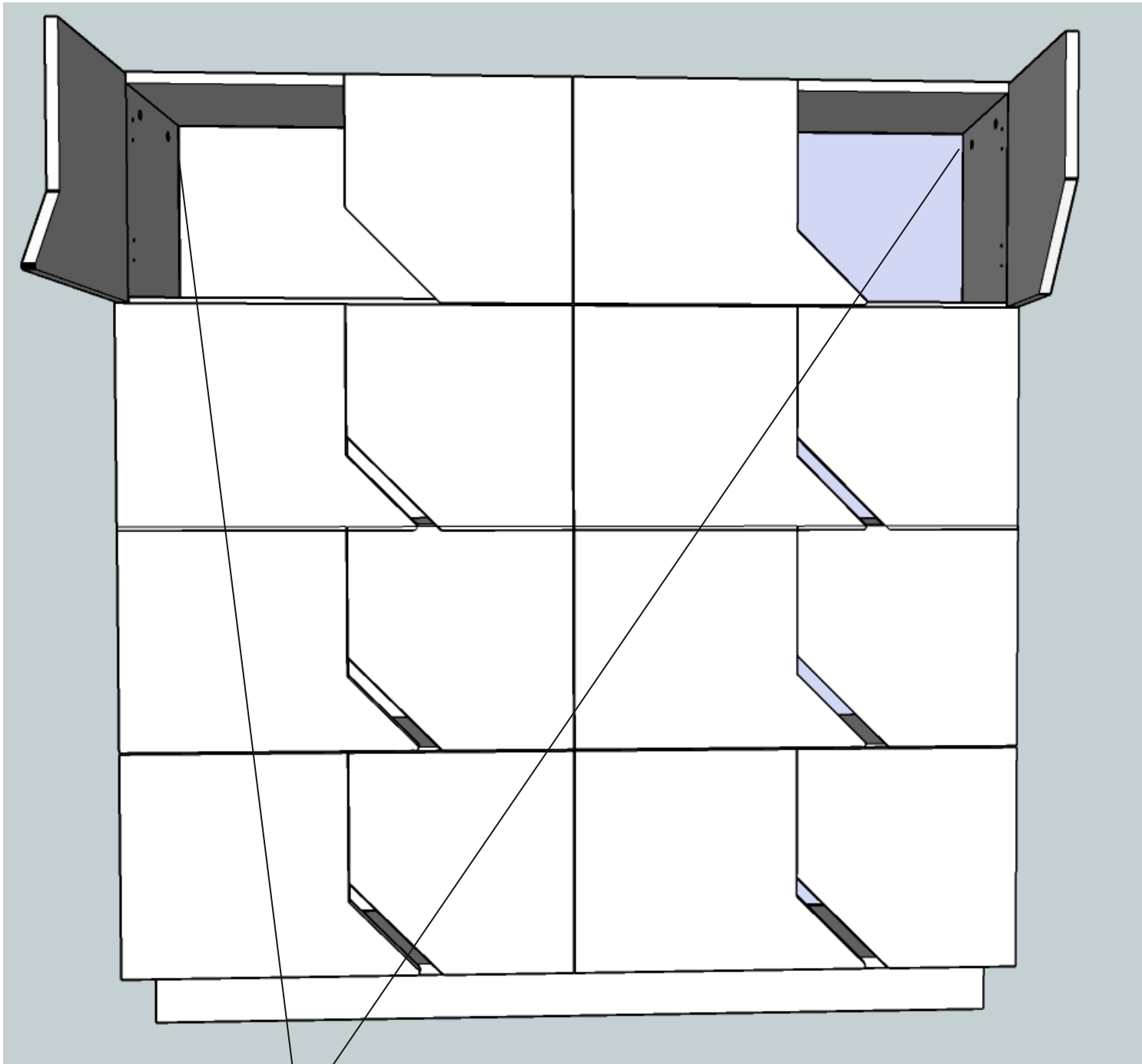


11



IMPORTANT:
FOR CENTER DOORS USE HINGES
THAT HAVE SMALL 11MM SCREWS





IMPORTANT:

**FIX THE SIDEBOARD
TO THE WALL**