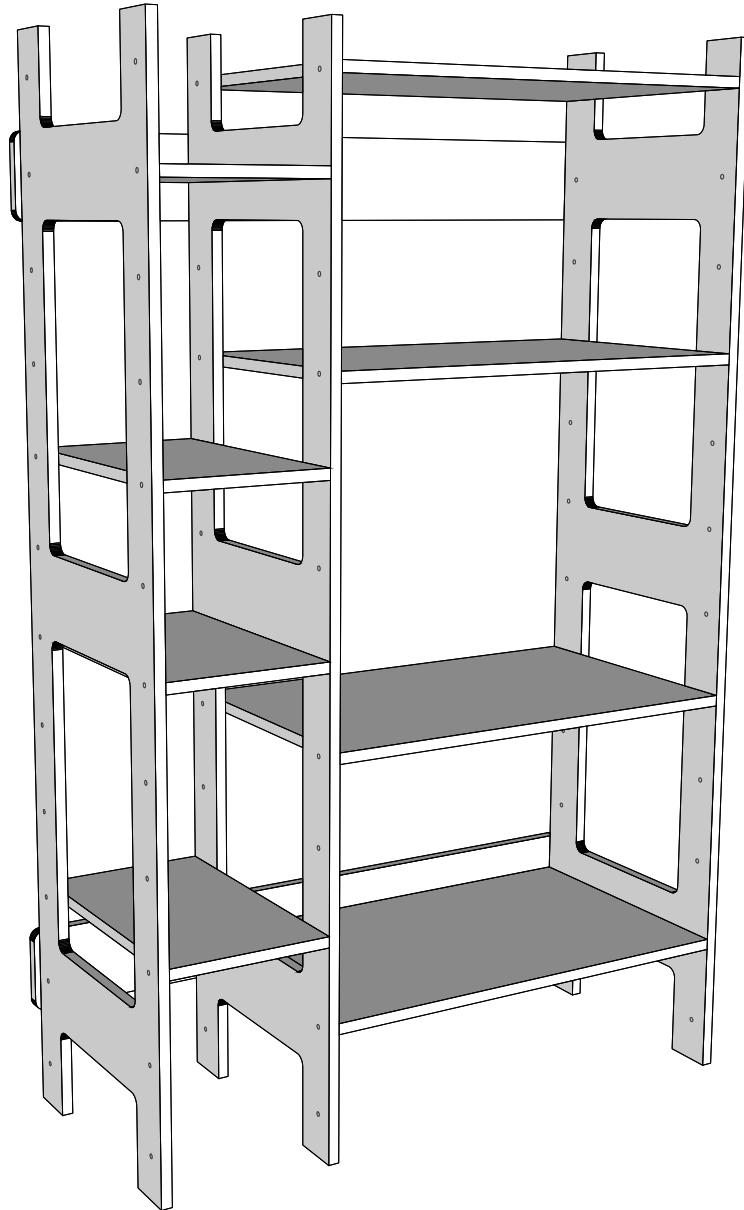


ASSEMBLY INSTRUCTION

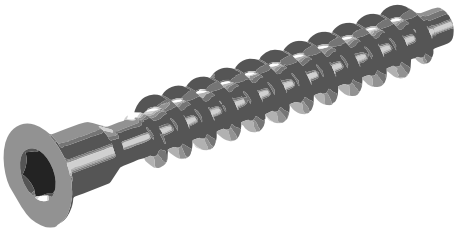
SHELF LIFT



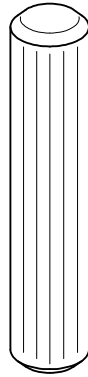
radis

Nordic Elegance

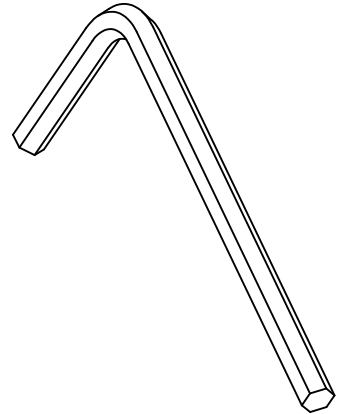
WWW.RADIS.EE



SMALL: 88
MEDIUM: 128
LARGE: 248



SMALL: 6
MEDIUM: 8
LARGE: 14

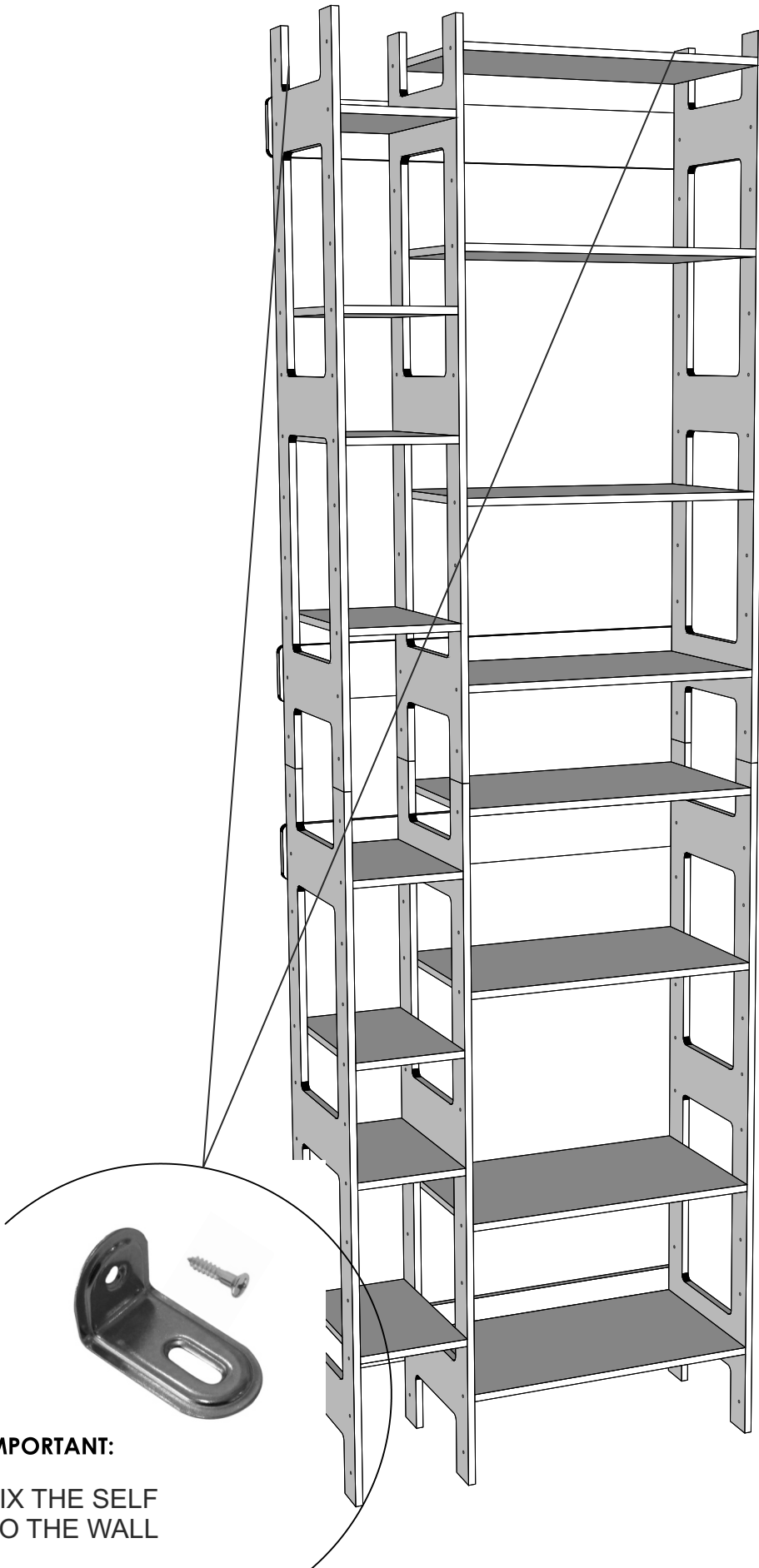


X1



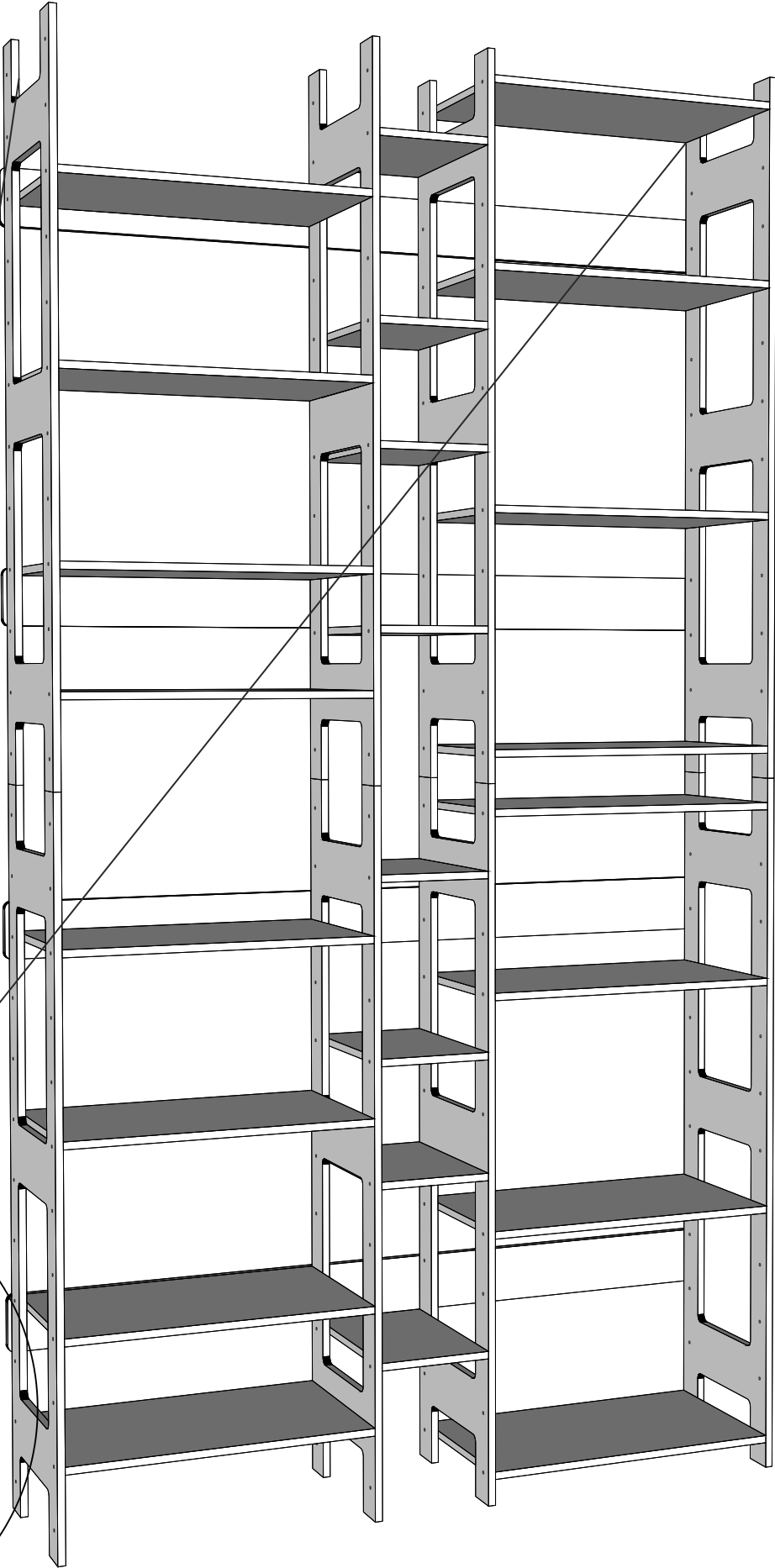
SMALL: 2
MEDIUM: 2
LARGE: 4

SMALL



IMPORTANT:
FIX THE SELF
TO THE WALL

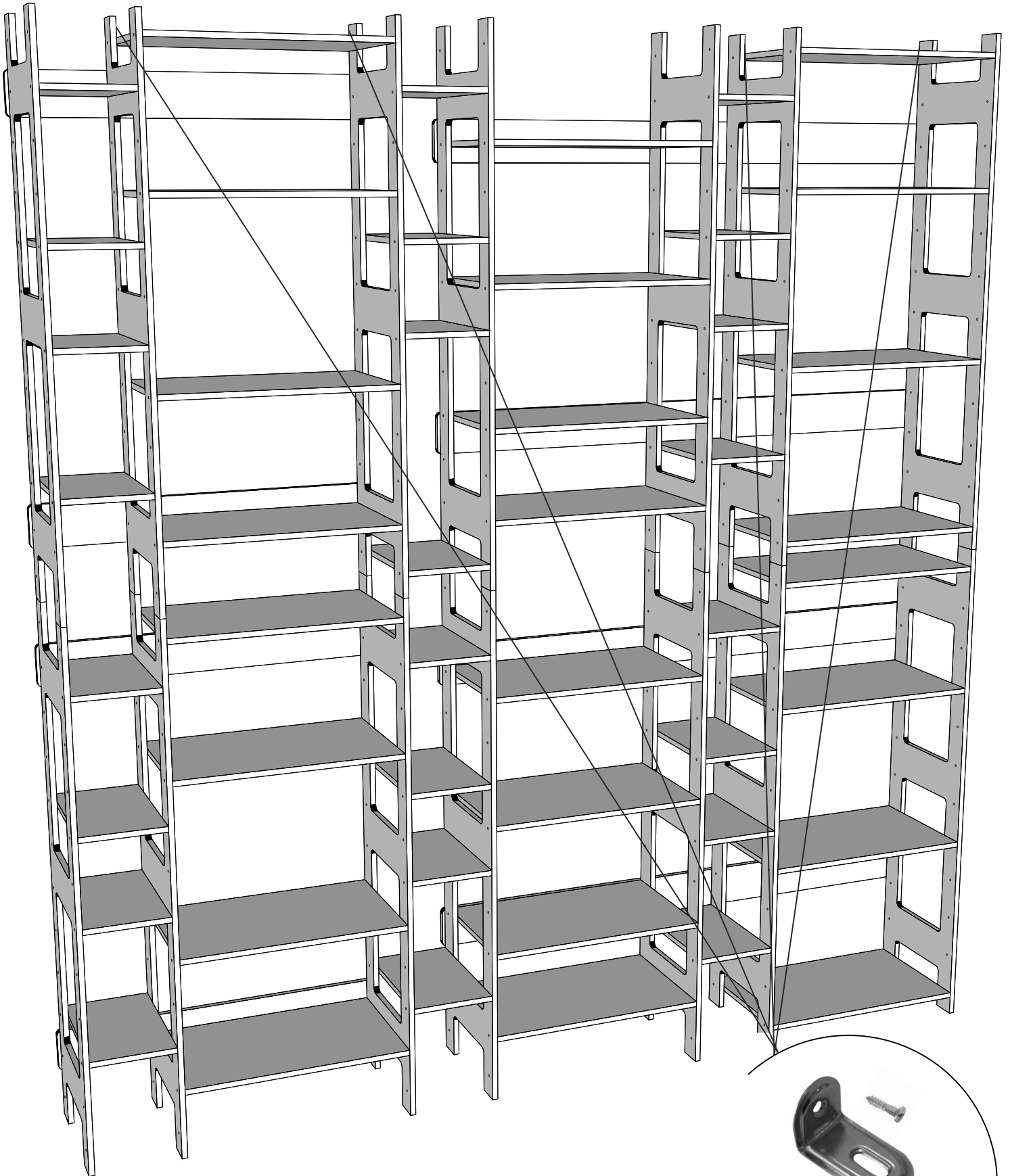
MEDIUM



IMPORTANT:

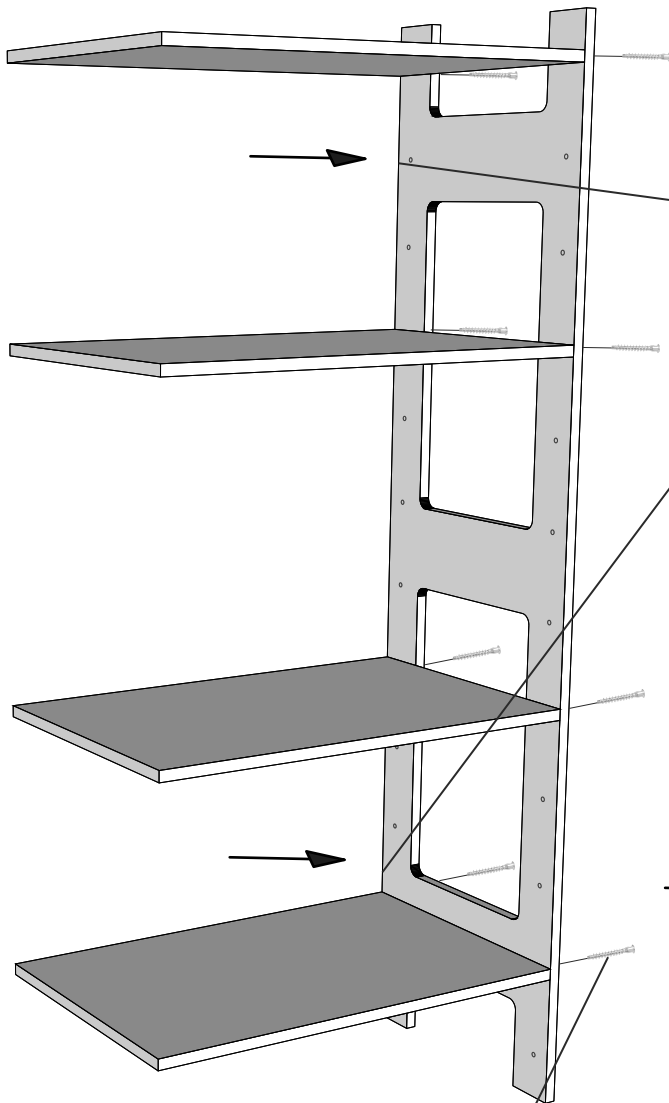
**FIX THE SHELF
TO THE WALL**

LARGE



IMPORTANT:
FIX THE SELF
TO THE WALL

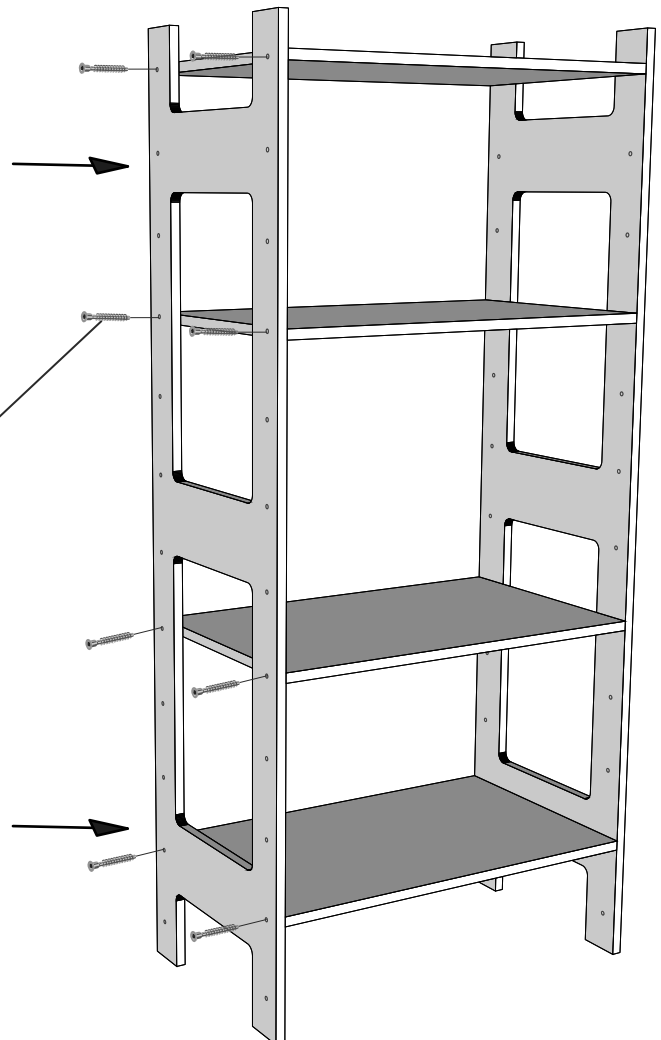
1



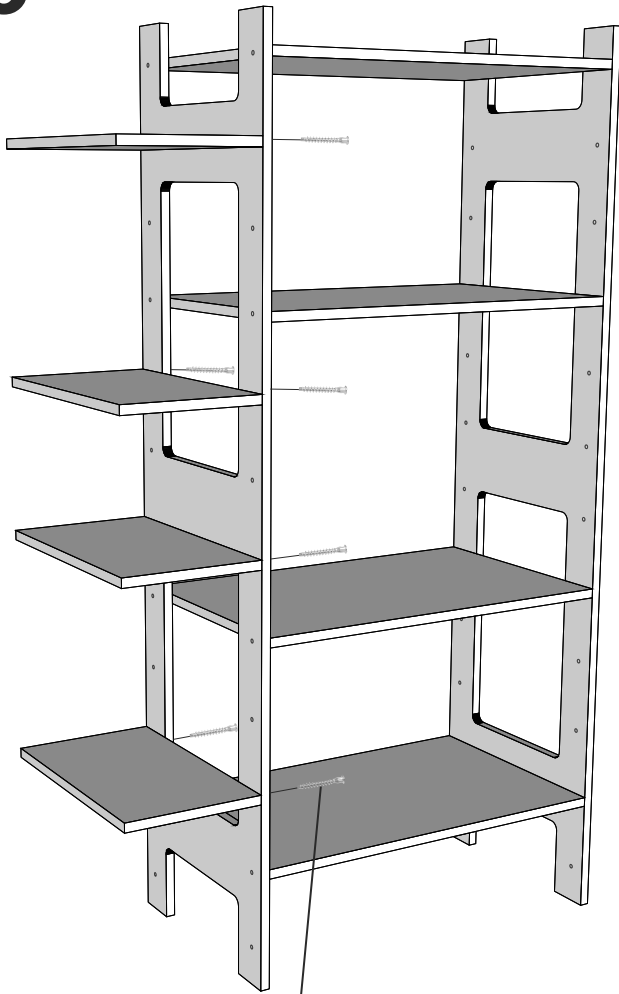
IMPORTANT:

PLACE THE HOLES IN
THE SIDE DETAIL EDGE
TO THE BACK

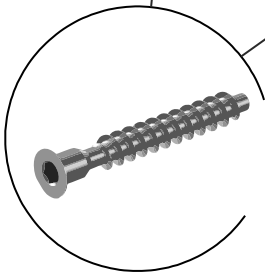
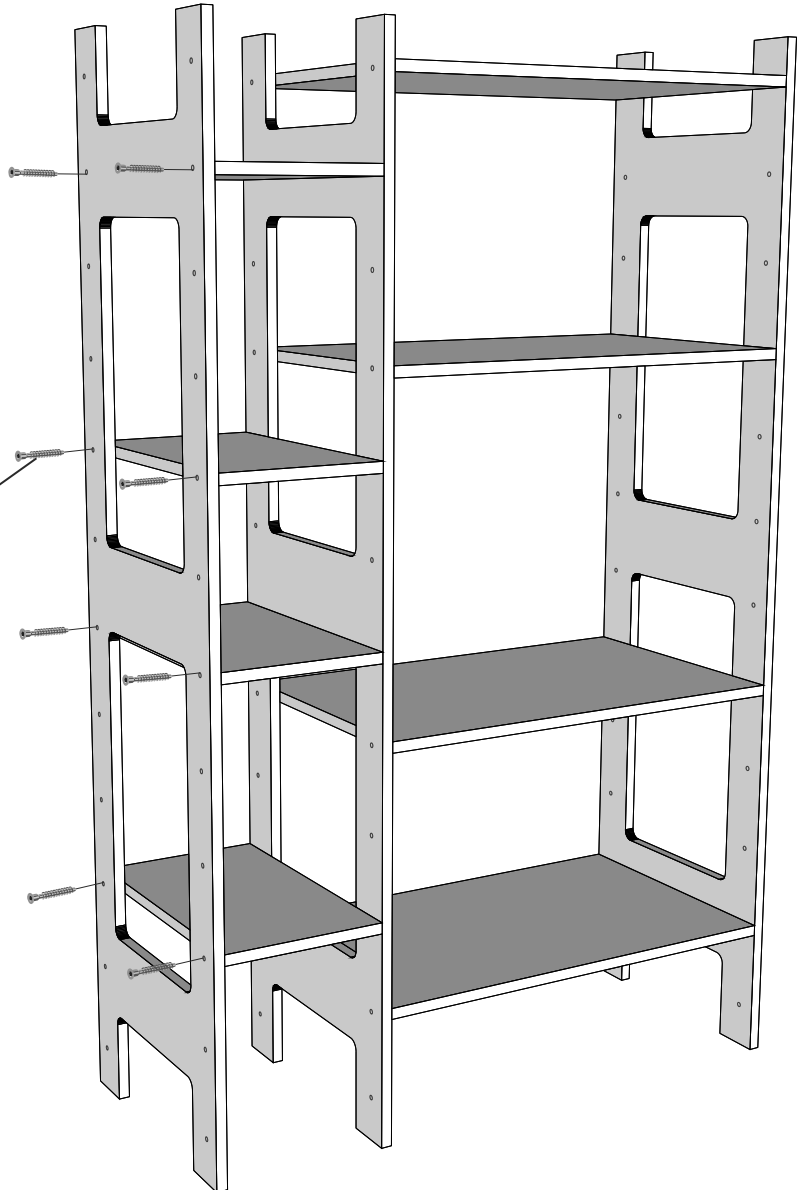
2



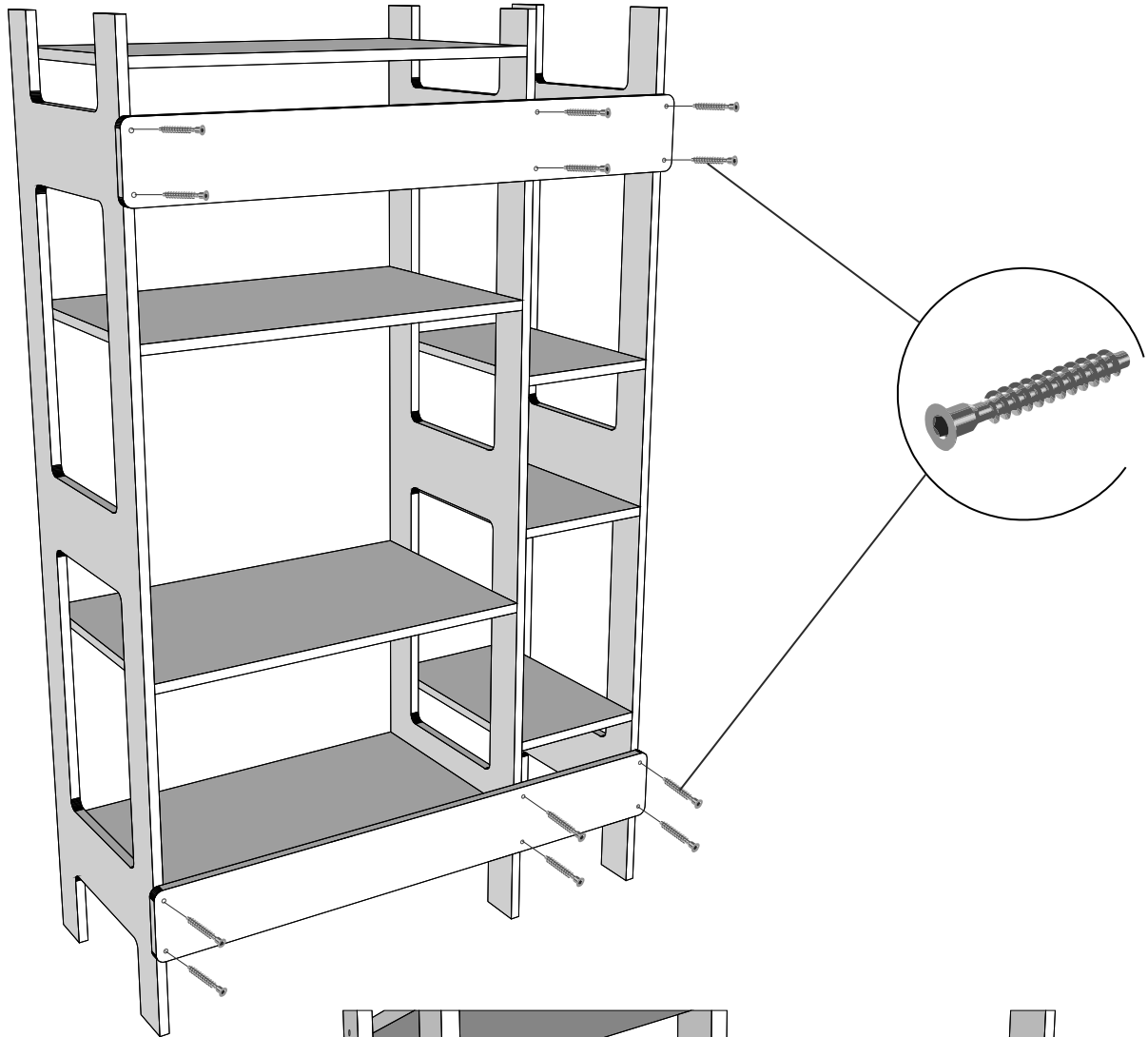
3



4



5



6

